



Base for read/write station

U-P6-B6

- PROFIBUS DP acc. to EN 50170
- 2 PG screw fittings for IN and OUT supply
- 2 EMV PG screw fittings for BUS IN and OUT
- Complete read/write functionality via the PROFIBUS DP
- Transmission of up to 7 double words, 32 bit each, in one cycle
- Connectable bus termination
- Field device with degree of protection IP67

Base for PROFIBUS DP



IDENT-I System P

Release date: 2020-03-27 Date of issue: 2020-03-27 Filename: 095730_eng.pdf

Function

The base is used in combination with an upper part, the IPT*-FP read/write station.

The device is operated as a slave on the PROFIBUS DP. The device makes available the complete read/write functionality. Up to 32 bytes are transmitted per cycle. Of these, up to 7 double words, each with 32 bits, are available to the user.

The address is set and the terminating resistor for the bus is connected via DIP switches.

While the bus termination is switched on, the subsequent subscribers which are connected to the terminals (P, N out) are disconnected from the bus.

Refer to "General Notes Relating to Pepperl+Fuchs Product Information".

Pepperl+Fuchs Group
www.pepperl-fuchs.com

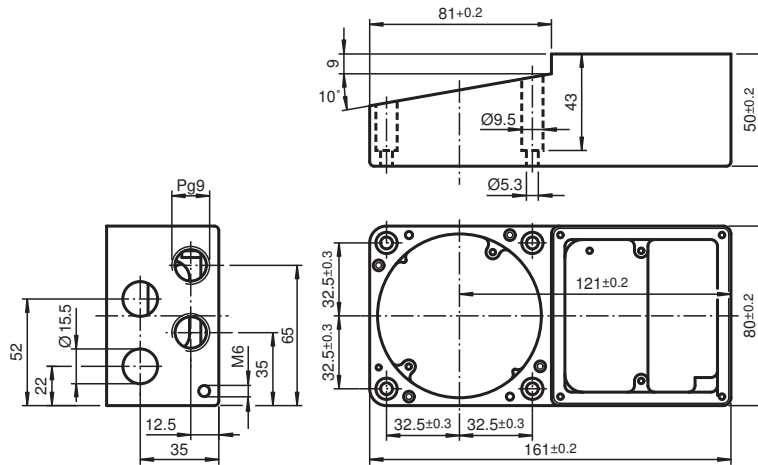
USA: +1 330 486 0001
fa-info@us.pepperl-fuchs.com

Germany: +49 621 776 1111
fa-info@de.pepperl-fuchs.com

Singapore: +65 6779 9091
fa-info@sg.pepperl-fuchs.com

 **PEPPERL+FUCHS**

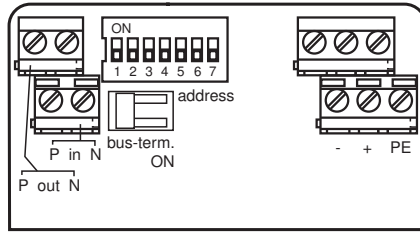
Dimensions




Technical Data

Indicators/operating means	
DIP switch	Setting the station address bus connection ON = active OFF = non-active
Electrical specifications	
Rated operating voltage	U_e 20 ... 30 V DC , ripple 10 % _{SS} , PELV
Power consumption	P_0 max. 5 W with read/write head IPT*-FP
Galvanic isolation	
Operating voltage/interface	functional insulation acc. to DIN EN 50178, rated insulation voltage 50 V _{eff}
Interface	
Physical	RS-485
Protocol	PROFIBUS DP acc. to EN 50170
Transfer rate	9.6; 19.2; 93.75; 187.5; 500; 1500 kBit/s 3; 6; 12 Mbit/s self-synchronizing
Ambient conditions	
Ambient temperature	-25 ... 70 °C (-13 ... 158 °F)
Storage temperature	-40 ... 85 °C (-40 ... 185 °F)
Mechanical specifications	
Degree of protection	IP67 according to EN 60529 with IPT*-FP
Connection	screw terminals
Interface cable	2 x 0.64 mm ² , double screened, acc. to PROFIBUS standard EN 50170
Supply	up to 3 x 1.5 mm ²
Material	
Housing	aluminum, black anodized

Connection



Matching system components

	<p>IPT1-FP</p>	<p>LF R/W system, fully assembled as configuration and test station</p>
---	-----------------------	---

Release date: 2020-03-27 Date of issue: 2020-03-27 Filename: 095730_eng.pdf