



**Model Number**

NBN2-F583W-100S3-E8-V1

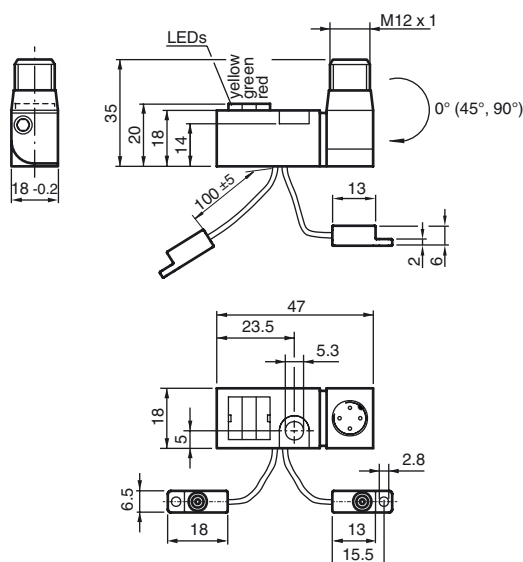
**Features**

- Basic series
- Extremely bright triple luminous band indication
- M12 plug with safety screw assembly adjustable in 45° grid
- For use in direct- and alternating-field welding systems
- Completely halogen and silicon free

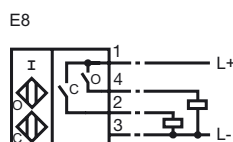
**Technical Data**

General specifications	
Switching function	2 x normally open (NO)
Output type	PNP
Rated operating distance	$s_n$ 2 mm
Installation	non-flush
Output polarity	DC
Assured operating distance	$s_a$ 0 ... 1.62 mm
Reduction factor $r_{AI}$	0.45
Reduction factor $r_{CU}$	0.35
Reduction factor $r_{304}$	0.75
Output type	4-wire
Nominal ratings	
Operating voltage	$U_B$ 10 ... 30 V
Switching frequency	$f$ 0 ... 100 Hz
Reverse polarity protection	reverse polarity protected
Short-circuit protection	pulsing
Voltage drop	$U_d$ ≤ 3 V
Operating current	$I_L$ 0 ... 100 mA
No-load supply current	$I_0$ ≤ 15 mA
Constant magnetic field	$B$ 100 mT
Alternating magnetic field	$B$ 100 mT
Operating voltage indicator	LED green
Switching state indicator	Switching state "close" = LED white switching state "open" = LED yellow
Functional safety related parameters	
MTTF <sub>d</sub>	1445 a
Mission Time (T <sub>M</sub> )	20 a
Diagnostic Coverage (DC)	0 %
Ambient conditions	
Ambient temperature	0 ... 50 °C (32 ... 122 °F)
Storage temperature	-40 ... 85 °C (-40 ... 185 °F)
Mechanical specifications	
Connection type	Connector plug M12 x 1, 4-pin
Flexible lead, housing-sensor	PUR (halogen-free); Outlet position - 3
Housing material	amplifier; PBT, PA6 + GD-ZN AL4 oscillators; PBT
Sensing face	PBT
Degree of protection	IP65
Compliance with standards and directives	
Standard conformity	EN 60947-5-2:2007 EN 60947-5-2/A1:2012 IEC 60947-5-2:2007 IEC 60947-5-2 AMD 1:2012
Approvals and certificates	
UL approval	cULus Listed, General Purpose
CCC approval	CCC approval / marking not required for products rated ≤36 V

**Dimensions**



**Electrical Connection**



Release date: 2019-06-05 11:12 Date of issue: 2019-06-05 230595\_eng.xml

## Pinout



Wire colors in accordance with EN 60947-5-2

1	BN	(brown)
2	WH	(white)
3	BU	(blue)
4	BK	(black)