



Model Number

NBB1,5-F79-E2-5M

Features

- 1.5 mm flush
- 3-wire DC

Technical Data

General specifications

Switching function		Normally open (NO)
Output type		PNP
Rated operating distance	s_n	1.5 mm
Installation		flush
Output polarity		DC
Assured operating distance	s_a	0 ... 1.215 mm
Reduction factor r_{AI}		0.3
Reduction factor r_{CU}		0.2
Reduction factor r_{304}		0.7
Output type		3-wire

Nominal ratings

Operating voltage	U_B	5 ... 30 V DC
Switching frequency	f	0 ... 1200 Hz
Hysteresis	H	typ. 5 %
Short-circuit protection		pulsing
Voltage drop	U_d	≤ 1.5 V
Operating current	I_L	0 ... 100 mA
Off-state current	I_r	≤ 10 μ A
No-load supply current	I_0	≤ 15 mA
Time delay before availability	t_v	≤ 20 ms

Ambient conditions

Ambient temperature		-25 ... 70 °C (-13 ... 158 °F)
---------------------	--	--------------------------------

Mechanical specifications

Connection type		3 x 0.09 mm ²
Core cross-section		3 x 0.09 mm ²
Housing material		PA
Sensing face		PA
Degree of protection		IP67
Cable		
Cable diameter		2.3 mm \pm 0.2 mm
Bending radius		> 10 x cable diameter

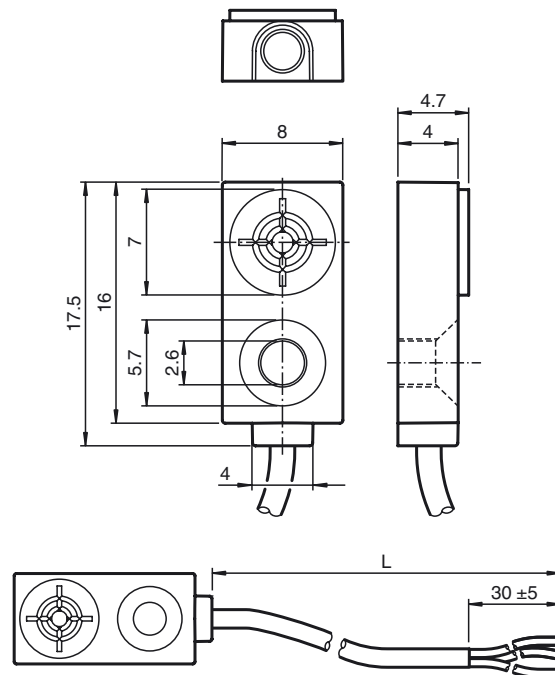
Compliance with standards and directives

Standard conformity		
Standards		EN 60947-5-2:2007 EN 60947-5-2/A1:2012 IEC 60947-5-2:2007 IEC 60947-5-2 AMD 1:2012

Approvals and certificates

CCC approval		CCC approval / marking not required for products rated ≤ 36 V
--------------	--	--

Dimensions



Electrical Connection

