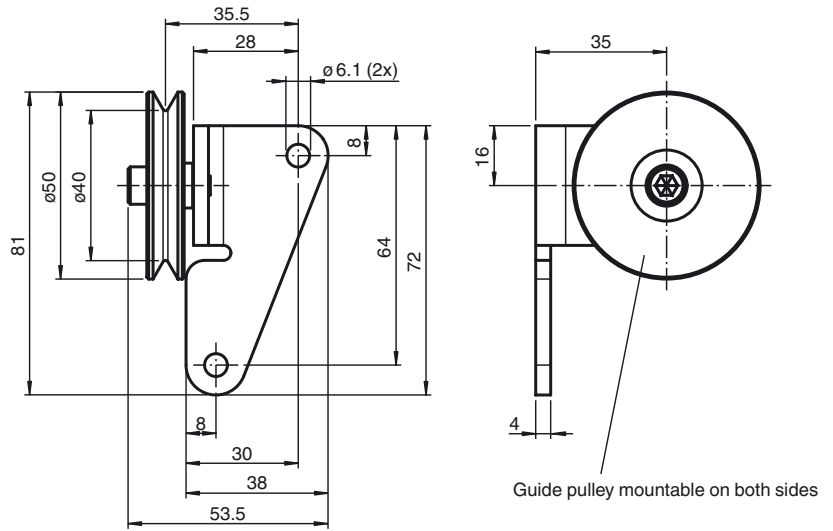


Dimensions



Model Number

ACC-PUL-ECN-SEP2

Separate guide pulley for cable pulls

Features

- Guide pulley for all cable pull models
- For applications with rope exit $\geq 3^\circ$
- Ideal for wall mounting
- Breaking ice on the measuring rope
- For bridging edges and obstacles

Technical data

Mechanical specifications

Material	
Guide pulley bracket	stainless steel 1.4301 / AISI 304
Guide pulley	Polyamide PA 6
Storage	stainless steel
Spacer sleeve	stainless steel 1.4301 / AISI 304
Mounting materials	stainless steel
Mass	130 g

General information

Scope of delivery	2 allen head screws M4 x 8 2 allen head screws M4 x 8
-------------------	--

Release date: 2019-10-23 14:41 Date of issue: 2019-10-30 70112057_eng.xml

Refer to "General Notes Relating to Pepperl+Fuchs Product Information".