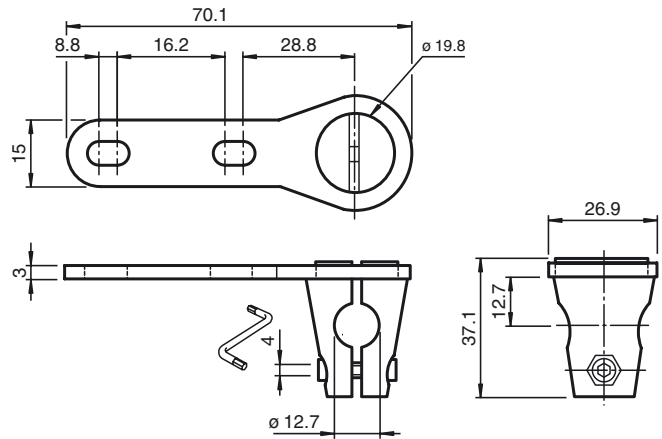




Dimensions



Technical data

Mechanical specifications

| | |
|----------|---|
| Material | Clamping cylinder: Diecast zinc Support bracket: Steel |
| Note | rod not included |

Model Number

MH 01-L2

Mounting brackets for sensors

Features

- Simple and fast mounting
- Mounting bracket

Release date: 2018-08-08 21:02 Date of issue: 2018-08-08 232176_eng.xml

Refer to "General Notes Relating to Pepperl+Fuchs Product Information".

Pepperl+Fuchs Group
www.pepperl-fuchs.com

USA: +1 330 486 0001
fa-info@us.pepperl-fuchs.com

Germany: +49 621 776 4411
fa-info@de.pepperl-fuchs.com

Singapore: +65 6779 9091
fa-info@sg.pepperl-fuchs.com