



Model Number

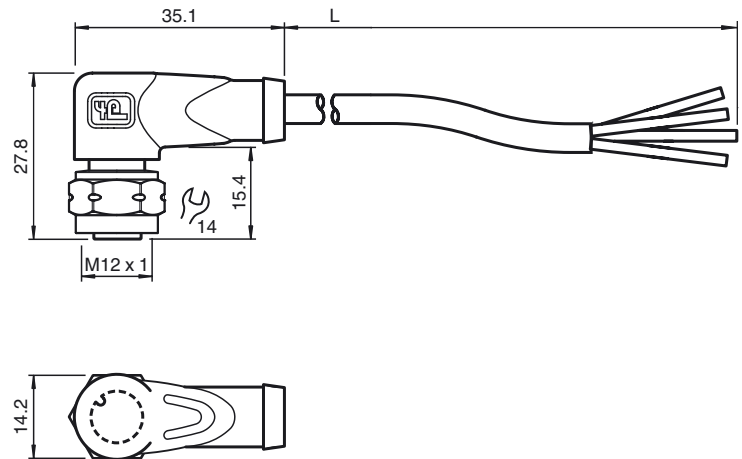
V1-WV4A-A2-5M-PVC

Female cordset, M12, Stainless steel V4A, LED, 4-pin, PVC cable

Features

- Coupling stainless steel nut
- Built-in LED, as operating and function indicator
- Gold-plated and machined contacts
- Degree of protection IP67 / IP68 / IP69K

Dimensions



Technical data

General specifications

Number of pins 4

Indicators/operating means

LED green Operating display
LED yellow Functional display NO contact

Electrical specifications

Operating voltage U_B max. 24 V DC \pm 15%
Operating current I_B max. 4 A
Contact resistance < 10 m Ω

Ambient conditions

Ambient temperature Body: -40 ... 90 °C (-40 ... 194 °F)
cable, fixed: -25 ... 70 °C (-13 ... 158 °F)
cable, flexing: -5 ... 70 °C (23 ... 158 °F)

Pollution degree 3

Mechanical specifications

Contact elements spring-loaded contact socket
Pin diameter 1 mm
Degree of protection IP67 / IP68 / IP69k
Material
Contacts CuSn / Au
Contact surface Au
Body TPU, transparent
Cable PVC
Slotted nut Stainless steel 1.4435 / AISI 316L
Core insulation PVC
Cable fine-strand, flexible
Sheath diameter \varnothing 4.8 mm
Bending radius > 10 x cable diameter, moving
Color grey
Cores 4 x 0.34 mm²
Conductor construction 19 x 0.15 mm \varnothing
Length L 5 m
Flammability
Contact carrier 94 HB
Housing 94 V-2

Compliance with standards and directives

Standard conformity
Degree of protection EN 60529:2000
Standards IEC 61076-2-101:2008
Flammability Grip: UL 94
Lead: IEC 60332-2-2:2004

Electrical connection

