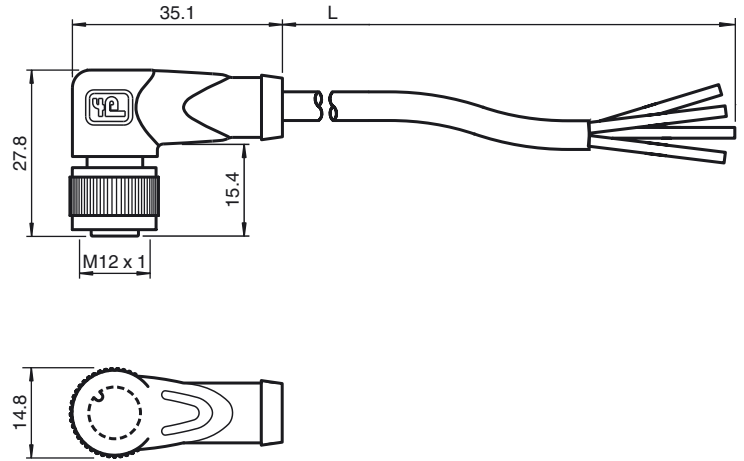




Dimensions



Model Number

V1-W-BK5M-PUR-R1

Single-ended female cordset, M12, PUR cable, 4-pin, robotics

Features

- Highly flexible—suitable for robotics
- Knurled nut suitable for tool assembly
- Immunity to vibration, with mechanical latching
- Gold plated contacts
- Suitable for drag chains
- Flame resistant cable
- Halogen-free
- Degree of protection IP67 / IP68 / IP69K
- Resistant to microbes and hydrolysis

Technical data

General specifications

Number of pins 4

Electrical specifications

Operating voltage U_B max. 250 V AC/DC
 Test voltage > 1500 V_{eff} AC
 Operating current I_B max. 4 A
 Volume resistance < 5 mΩ

Ambient conditions

Ambient temperature -40 ... 90 °C (-40 ... 194 °F)
 cable, fixed: -40 ... 80 °C (-40 ... 176 °F)
 cable, flexing: -25 ... 80 °C (-13 ... 176 °F)

Pollution degree 3

Mechanical specifications

Contact elements spring-loaded contact socket
 Pin diameter 1 mm
 Degree of protection IP67 / IP68 / IP69k

Material

Contacts CuSn / Au
 Contact surface Au
 Body TPU, black
 Cable PUR
 Slotted nut Diecast zinc
 Core insulation PP
 Cable extra-fine wire, flexible
 Sheath diameter Ø 4.3 mm
 Bending radius > 10 x cable diameter, moving
 > 5 x cable diameter, fixed
 Color black (similar to RAL 7021)
 Number of cores 4
 Core cross-section 0.34 mm²
 Conductor construction 42 x 0.1 mm Ø
 Length L 5 m

Drag chain suitability

Drag chain cycles ≥ 10000000
 Motion velocity ≤ 3 m/s
 Acceleration ≤ 10 m/s²
 Torsional stress ± 360 °/m

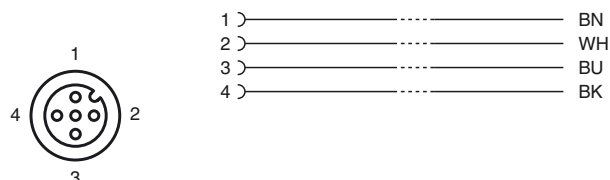
Flammability

Contact carrier 94 HB
 Housing 94 V-2
 Cable FT2

Compliance with standards and directives

Standard conformity

Electrical connection



Release date: 2016-07-15 11:50 Date of issue: 2016-08-02 295359_eng.xml

| | |
|-----------------------------------|---|
| Degree of protection | EN 60529:2000 |
| Standards | IEC 61076-2-101:2008 |
| Flammability | Grip: UL 94 Cabling: in accordance with UL FT2 |
| Halogen-free | DIN VDE 0472 Part 15 (plastic) DIN EN 50267-2-1 (flue gas) |
| Chemical resistance | EN 60811-404: 168 h at 100° C |
| Approvals and certificates | |
| UL approval | AWM STYLE 20549 80 °C 300V AWM I A/B 80 °C 300V FT2 (cable) |

Release date: 2016-07-15 11:50 Date of issue: 2016-08-02 295359_eng.xml