



### Model Number

**NMB3-8GM23-Z9-C-850MM-V1**

### Features

- 3 mm flush
- Stainless steel sensing face
- Increased operating distance
- Weld Immune
- Weld slag resistant coating

### Accessories

#### V1-G-OR2M-POC

Female cordset, M12, 4-pin, TPE cable, welding-bead resistant

## Technical Data

### General specifications

Switching function		Normally open (NO)
Output type		Two-wire
Rated operating distance	$s_n$	3 mm
Installation		flush
Output polarity		DC
Assured operating distance	$s_a$	0 ... 2.43 mm
Actuating element		Ferrous targets
Reduction factor $r_{A1}$		0.3
Reduction factor $r_{304}$		0.8
Output type		2-wire

### Nominal ratings

Operating voltage	$U_B$	6 ... 30 V DC
Switching frequency	$f$	5 Hz
Hysteresis	$H$	5 ... 15 typ. 10 %
Reverse polarity protection		reverse polarity-conductive
Short-circuit protection		pulsing
Voltage drop	$U_d$	< 3 V
Operating current	$I_L$	2 ... 100 mA
Off-state current	$I_r$	< 500 $\mu$ A
Switching state indicator		LED, red
Mag. Field strength, AC fields		250 mT
Mag. Field strength, DC fields		250 mT

### Ambient conditions

Ambient temperature		-25 ... 70 °C (-13 ... 158 °F)
---------------------	--	--------------------------------

### Mechanical specifications

Connection type	Cable connector M12 x 1, TPE cable
	L = 500 mm
	L1 = 50 mm
	L2 = 300 mm

Housing material	Xylan coated - Stainless steel 1.4305 / AISI 303
Sensing face	Xylan coated - Stainless steel 1.4305 / AISI 303
Degree of protection	IP67

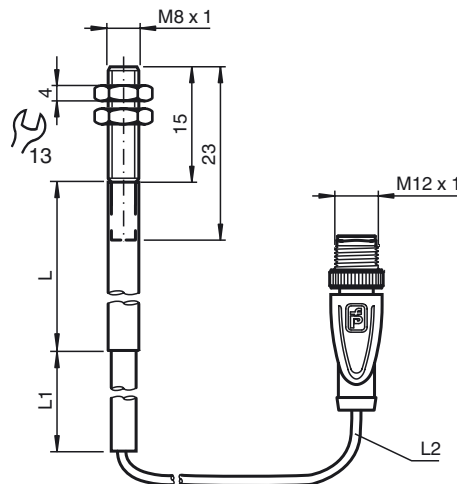
### Compliance with standards and directives

Standard conformity	
Standards	EN 60947-5-2:2007 EN 60947-5-2/A1:2012 IEC 60947-5-2:2007 IEC 60947-5-2 AMD 1:2012

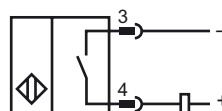
### Approvals and certificates

UL approval	cULus Listed, General Purpose
CSA approval	cCSAus Listed, General Purpose
CCC approval	CCC approval / marking not required for products rated $\leq 36$ V

## Dimensions



## Electrical Connection



## Pinout



Wire colors in accordance with EN 60947-5-2

1	BN	(brown)
2	WH	(white)
3	BU	(blue)
4	BK	(black)