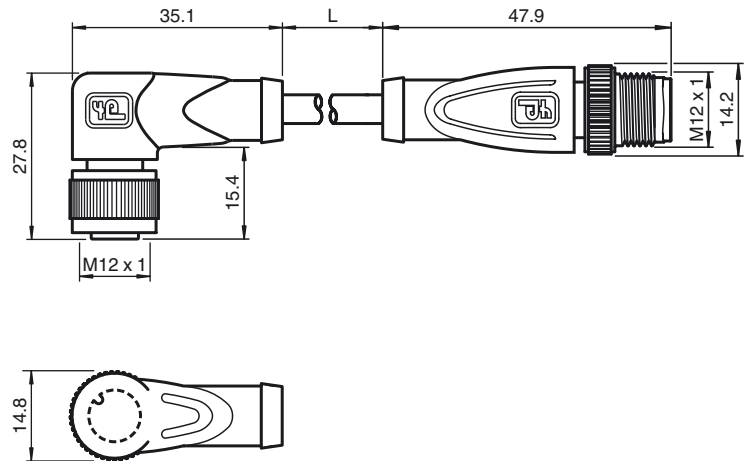




Dimensions



Model Number

V1-W-BK1M-PUR-A-V1-G

Connection cable, M12 to M12, PUR cable, 4-pin

Features

- Improved resistance to weld slag
- Suitable for drag chains
- Suitable for robotic applications / torsion resistant
- Flame resistant cable
- Halogen-free
- Resistant to microbes and hydrolysis
- Free from substances that impair paint wetting
- Immunity to vibration, with mechanical latching
- Knurled nut suitable for tool assembly

Technical data

General specifications

| | |
|---------------------|----------------|
| Number of pins | 4 |
| Connection 1 | socket |
| Construction type 1 | right angle |
| Threading 1 | M12 |
| Connection 2 | Male connector |
| Construction type 2 | straight |
| Threading 2 | M12 |

Electrical specifications

| | | |
|-------------------|-------|------------------|
| Operating voltage | U_B | max. 250 V AC/DC |
| Operating current | I_B | max. 4 A |
| Volume resistance | | < 5 m Ω |

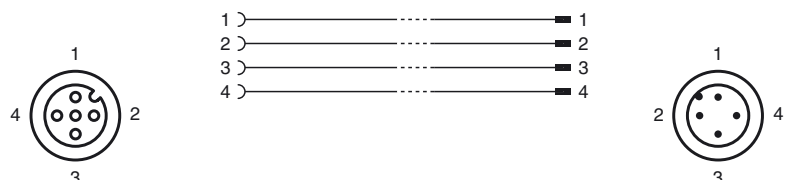
Ambient conditions

| | |
|---------------------|--|
| Ambient temperature | Body: -40 ... 90 °C (-40 ... 194 °F) cable, fixed: -40 ... 80 °C (-40 ... 176 °F) cable, flexing: -25 ... 80 °C (-13 ... 176 °F) |
| Pollution degree | 3 |

Mechanical specifications

| | |
|------------------------|--|
| Contact elements | spring-loaded contact socket |
| Pin diameter | 1 mm |
| Degree of protection | IP67 |
| Material | |
| Contacts | CuSn / Au |
| Contact surface | Au |
| Body | TPU, black |
| Cable | PUR |
| Slotted nut | Diecast zinc |
| Sleeve connector | Diecast zinc |
| Core insulation | PP |
| Cable | extra-fine wire, flexible |
| Sheath diameter | \varnothing 4.3 mm |
| Bending radius | > 10 x cable diameter, moving > 5 x cable diameter, fixed |
| Color | black |
| Cores | 4 x 0.34 mm ² |
| Conductor construction | 42 x 0.1 mm \varnothing |
| Length | L 1 m |
| Drag chain suitability | |
| Drag chain cycles | \geq 5000000 (at max. 60 °C) |
| Motion velocity | \leq 3.3 m/s |
| Traverse distance | 5 m horizontal |
| Acceleration | \leq 5 m/s ² |
| Torsion cycles | \geq 1000000 (at max. 60 °C) |
| Torsional stress | \pm 180 °/m |

Electrical connection



Release date: 2015-01-12 14:01 Date of issue: 2019-05-23 252981_eng.xml

| | |
|---|---|
| Flammability | |
| Contact carrier | 94 HB |
| Housing | 94 V-2 |
| Cable | FT2 |
| Compliance with standards and directives | |
| Standard conformity | |
| Degree of protection | EN 60529:2000 |
| Standards | IEC 61076-2-101:2008 |
| Flammability | Body: UL 94 Line: UL 1581 Section 1061; IEC 60332-1-2:2004 |
| Halogen-free | IEC 60754-1:1994 |

Release date: 2015-01-12 14:01 Date of issue: 2019-05-23 252981_eng.xml