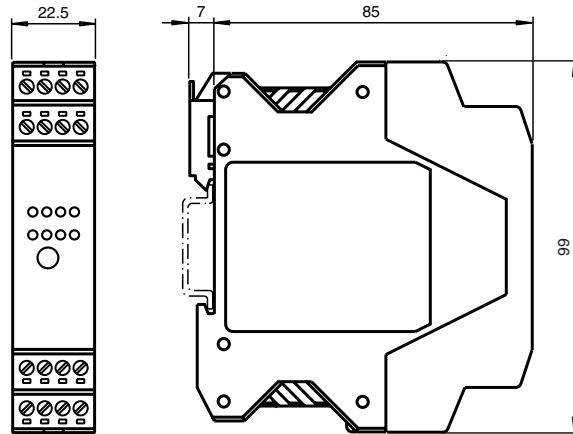
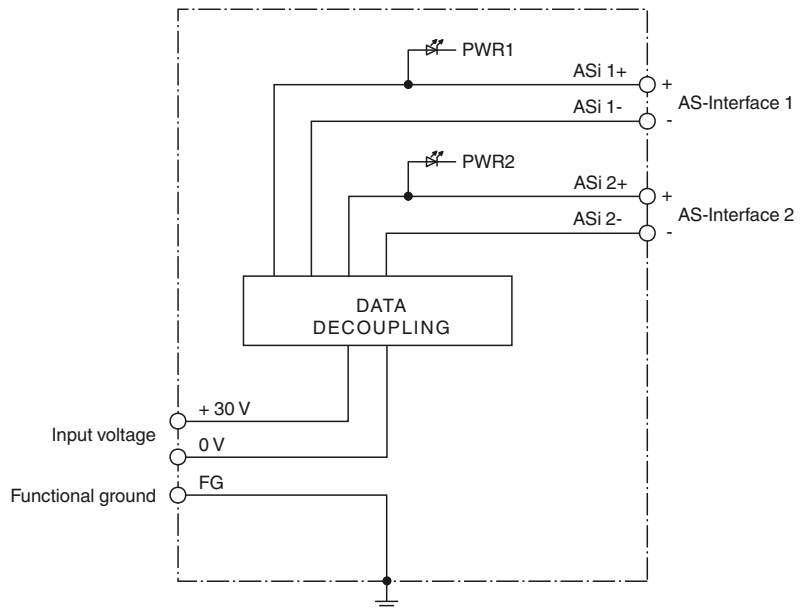




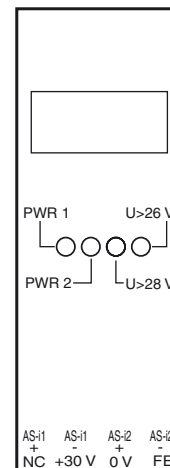
Dimensions



Electrical connection



Indicating / Operating means



Release date: 2019-08-23 12:34 Date of issue: 2019-08-23 203291_Leng.xml

Refer to "General Notes Relating to Pepperl+Fuchs Product Information".

Pepperl+Fuchs Group
www.pepperl-fuchs.com

USA: +1 330 486 0001
fa-info@us.pepperl-fuchs.com

Germany: +49 621 776 4411
fa-info@de.pepperl-fuchs.com

Singapore: +65 6779 9091
fa-info@sg.pepperl-fuchs.com

Technical data**General specifications**

| | |
|----------------|---------|
| UL File Number | E223772 |
|----------------|---------|

Indicators/operating means

| | |
|------------|--|
| LED PWR | AS-Interface voltage; LED green |
| LED U AS-i | AS-Interface voltage on the output is displayed in two stages: AS-Interface voltage > 28 V; LED green AS-Interface voltage > 26 V; LED green |

Electrical specifications

| | | |
|-------------------------|-------|--------------|
| Insulation voltage | U_i | ≥ 500 V |
| Rated operating voltage | U_o | 30 V DC PELV |

Output

| | | |
|-----------------------------------|-----------------------------|----------------|
| Number/Type | 2 AS-Interface circuits 1+2 | |
| Short-circuit protection/overload | 6 A self resetting fuse | |
| Voltage | 29.5 ... 31.6 V DC | |
| Rated current | I_r | 4 A at 30 V DC |

Directive conformity

| | |
|-------------------------------|-----------------|
| Electromagnetic compatibility | |
| Directive 2014/30/EU | EN 62026-2:2013 |

Standard conformity

| | |
|-------------------------------|----------------------------|
| Electromagnetic compatibility | EN 61000-6-2, EN 61000-6-4 |
| Degree of protection | EN 60529:2000 |
| AS-Interface | EN 62026-2:2013 |

Ambient conditions

| | |
|---------------------|--------------------------------|
| Ambient temperature | 0 ... 55 °C (32 ... 131 °F) |
| Storage temperature | -25 ... 85 °C (-13 ... 185 °F) |

Mechanical specifications

| | |
|----------------------|---|
| Degree of protection | IP20 |
| Connection | removable terminals, terminal connection ≤ 2.5 mm ² |
| Material | |
| Housing | PA 6 GF30 |
| Mass | 120 g |
| Mounting | DIN mounting rail |

Function

The AS-Interface Power Extender VAN-KE2-2PE is a mains part decoupling especially for applications with two AS interface circuits which are operated with one double master. The Power Extender facilitates the supply of both circuits with only one mains part. As a result of the data decoupling, a standard mains part with 30 V output voltage in compliance with the AS interface specification can be used instead of an AS interface mains part. AS Interface Master and Slaves can only be installed on the side facing away (AS interface output) from the mains part of the Power Extender.

Depending on the line resistance and current, a voltage drop between the mains part and the AS Interface Power Extender occurs. The AS Interface Power Extender shows the AS Interface voltage at the output with two luminous diodes in two stages (see Technical Data). As with all AS-Interface circuits, it is to be ensured that actuators are supplied with the permissible voltage tolerance of 24 V +10%/-15%. As a rule of thumb, the following applies for the AS Interface line length in connection with the AS Interface voltage:

AS-Interface voltage > 28 V: approx. 80 m line length,

AS-Interface voltage > 26 V: approx. 60 m line length.

The housing which is only 22.5 mm wide takes up little space in the switch cabinet. The module is mounted by snapping onto the 35 mm support rail in compliance with EN 50022. The connection is made using plug-gable screw terminals. This enables easy separation during commissioning or service.

Note:

There is one data decoupling per AS-Interface Power Extender located in the AS-Interface Power Extender for a maximum of 4 A current at 30 V AS-Interface voltage. Furthermore, the minus line of the mains part may not be earthed if there is a connection between the minus line and ground in the mains part.

Accessories**VAR-KE3-TERM**

AS-Interface advanced repeater with terminator

K17-STR-24..30VDC-5A

Power supply, 24 to 30 V DC, 5 A

K24-STR-24..30VDC-10A

Power supply, 24 to 30 V DC, 10 A

AS-Interface Power Calculator

AS-Interface Power supply and network checking utility