



Model Number

NBN40-U4-Z2

Features

- Sensor head bidirectional and rotatable
- 40 mm non-flush
- 2-wire DC
- 2 LEDs indicator for 360° visibility

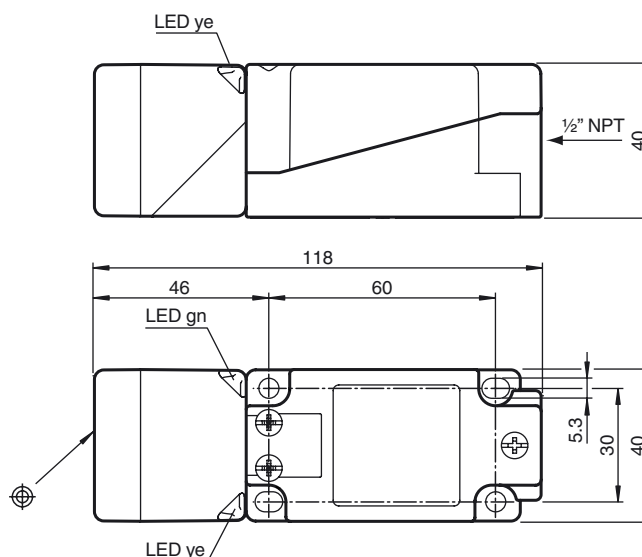
Accessories

- MHW 01**
Modular mounting bracket
- MH 04-2681F**
Mounting aid for VariKont, +U1+ and +U9*

Technical Data

General specifications	
Switching function	Normally open/closed (NO/NC)
Output type	Two-wire
Rated operating distance	s_n 40 mm
Installation	non-flush
Output polarity	DC
Assured operating distance	s_a 0 ... 32.4 mm
Actual operating distance	s_r 36 ... 44 mm typ. 40 mm
Reduction factor r_{AI}	0.3
Reduction factor r_{Cu}	0.3
Reduction factor r_{304}	0.7
Output type	2-wire
Nominal ratings	
Operating voltage	U_B 5 ... 60 V DC
Switching frequency	f 0 ... 100 Hz
Hysteresis	H typ. 5 %
Reverse polarity protection	reverse polarity tolerant
Short-circuit protection	pulsing
Voltage drop	U_d \leq 5 V
Voltage drop at I_L	
Voltage drop $I_L = 100$ mA, switching element on U_d	... 5 V
Operating current	I_L 2 ... 200 mA
Off-state current	I_r 0 ... 0.5 mA
Switching state indicator	2 LED, yellow
Functional safety related parameters	
MTTF _d	1170 a
Mission Time (T_M)	20 a
Diagnostic Coverage (DC)	0 %
Ambient conditions	
Ambient temperature	-25 ... 85 °C (-13 ... 185 °F)
Mechanical specifications	
Connection type	screw terminals
Information for connection	A maximum of two conductors with the same core cross section may be mounted on one terminal connection! tightening torque 1.2 Nm + 10 %
Core cross-section	up to 2.5 mm ²
Minimum core cross-section	without wire end ferrule 0.5 mm ² , with connector sleeves 0.34 mm ²
Maximum core cross-section	without wire end ferrule 2.5 mm ² , with connector sleeves 1.5 mm ²
Housing material	PA/metal with epoxy powder coating
Sensing face	PA
Housing base	metal
Degree of protection	IP68 / IP69K
Mass	225 g
Note	Tightening torque: 1.8 Nm (housing)
Compliance with standards and directives	
Standard conformity	
Standards	EN 60947-5-2:2007 EN 60947-5-2/A1:2012 IEC 60947-5-2:2007 IEC 60947-5-2 AMD 1:2012
Approvals and certificates	
UL approval	cULus Listed, General Purpose
CCC approval	Certified by China Compulsory Certification (CCC)

Dimensions



Release date: 2018-11-13 10:56 Date of issue: 2018-11-13 203109_eng.xml

Electrical Connection

