



Model Number

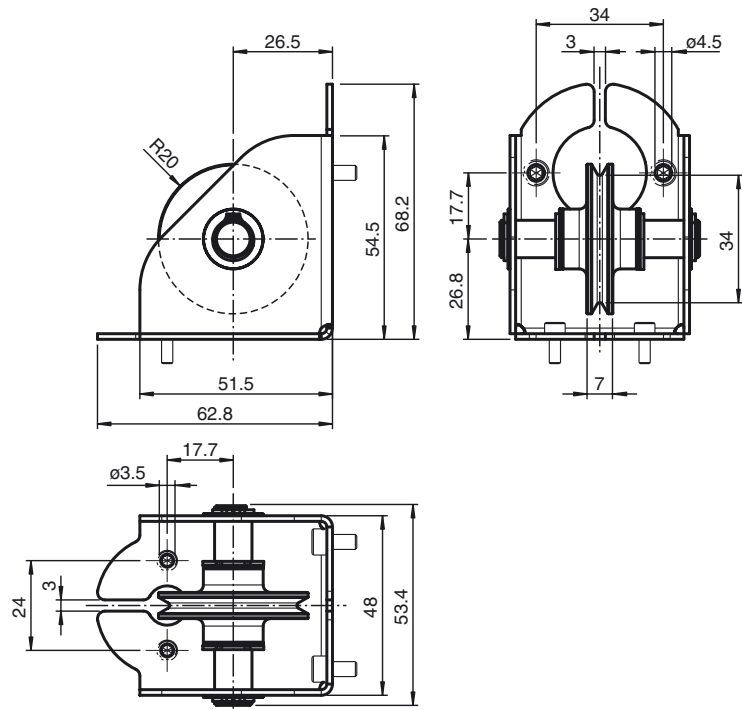
ACC-PUL-ECN-SEP4

Separate guide pulley for cable pulls

Features

- Guide pulley for all cable pull models
- For applications with rope exit $\geq 3^\circ$
- Ideal for corner and wall mounting
- Breaking ice on the measuring rope
- For bridging edges and obstacles

Dimensions



Technical data

Mechanical specifications

Material	
Guide pulley bracket	stainless steel 1.4404 / AISI 316L
Guide pulley	Hostaform C
Rotational axis	stainless steel 1.4404 / AISI 316L
Mounting materials	stainless steel
Mass	150 g

General information

Scope of delivery	2 allen head screws M4 x 8 2 allen head screws M4 x 8
-------------------	----------------------------------------------------------

Release date: 2019-10-23 14:41 Date of issue: 2019-10-23 70112055_eng.xml

Refer to "General Notes Relating to Pepperl+Fuchs Product Information".