



Model Number

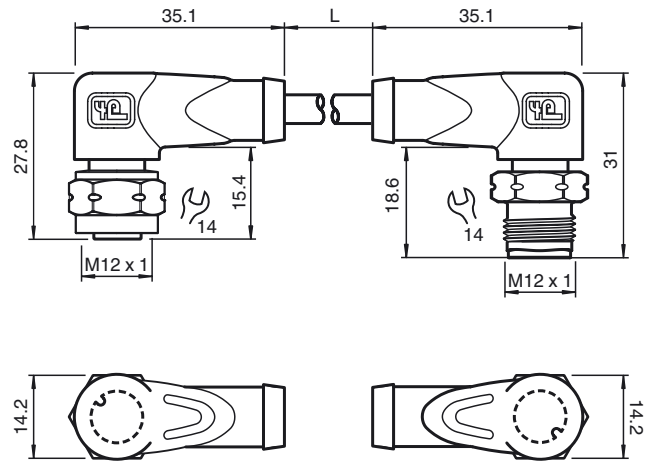
V1-WV4A-BK0,6M-PUR-U-V1-WV4A

Cordset, M12 to M12, V4A stainless steel, 4-pin, PUR cable

Features

- UL Recognized Component
- Suitable for drag chains
- Gold plated contacts
- Coupling nut V4A
- Union screw made from stainless steel
- Flame resistant cable
- Degree of protection IP67 / IP68 / IP69K
- Halogen-free

Dimensions



Technical data

General specifications

| | |
|---------------------|----------------|
| Number of pins | 4 |
| Connection 1 | socket |
| Construction type 1 | right angle |
| Threading 1 | M12 |
| Connection 2 | Male connector |
| Construction type 2 | right angle |
| Threading 2 | M12 |
| UL File Number | E231213 |

Electrical specifications

| | | |
|-------------------|----------------|------------------|
| Operating voltage | U _B | max. 250 V AC/DC |
| Operating current | I _B | max. 4 A |

Ambient conditions

| | |
|---------------------|--|
| Ambient temperature | Body: -40 ... 90 °C (-40 ... 194 °F) cable, flexing: -25 ... 80 °C (-13 ... 176 °F) cable, fixed: -40 ... 80 °C (-40 ... 176 °F) |
| Pollution degree | 3 |

Mechanical specifications

| | |
|------------------------|--|
| Contact elements | spring-loaded contact socket |
| Pin diameter | 1 mm |
| Degree of protection | IP67 / IP68 / IP69k |
| Cable code | Li 9Y 11Y 4 x 0.34 |
| Material | |
| Contacts | CuSn / Au |
| Contact surface | Au |
| Body | TPU, black |
| Cable | PUR |
| Slotted nut | Stainless steel 1.4435 / AISI 316L |
| Sleeve connector | Stainless steel 1.4435 / AISI 316L |
| Core insulation | PP |
| Cable | extra-fine wire, flexible |
| Sheath diameter | Ø 4.3 mm |
| Bending radius | > 10 x cable diameter, moving > 5 x cable diameter, fixed |
| Color | black |
| Number of cores | 4 |
| Core cross-section | 0.34 mm ² |
| Length | L 0.6 m |
| Drag chain suitability | |
| Drag chain cycles | ≥ 5000000 |
| Motion velocity | ≤ 3.3 m/s |
| Torsional stress | ± 180 °/m |
| Flammability | |
| Contact carrier | 94 HB |

Electrical connection



Release date: 2017-12-19 10:31 Date of issue: 2018-01-16 314829_eng.xml

Refer to "General Notes Relating to Pepperl+Fuchs Product Information".

| | |
|---|---|
| Housing | 94 V-2 |
| Cable | FT2 |
| Compliance with standards and directives | |
| Standard conformity | |
| Degree of protection | EN 60529:2000 |
| Standards | IEC 61076-2-101:2008 |
| Flammability | Body: UL 94 Line: UL 1581 Section 1061; IEC 60332-1-2:2004 |
| Halogen-free | IEC 60754-1:1994 |
| Approvals and certificates | |
| UL approval | cURus AWM 20549 AWM I/II A/B 80°C 300V FT2 (cable) |
| Maximum permissible operating voltage | ≤ 30 V |
| Maximum permissible ambient temperature | ≤ 80 °C (≤ 176 °F) |

Release date: 2017-12-19 10:31 Date of issue: 2018-01-16 314829_eng.xml