

Base for read/write station, stainless steel version

U-P7V4A-R4

- Simple bus system with up to 30 units
- high-grade steel housing V4A
- Serial interface RS 485, addressable
- Degree of protection IP67
- Resistant against cleaning material

Base with addressable serial Interface RS 485, stainless steel version

CE

iDENT-I System P

Release date: 2020-03-27 Date of issue: 2020-03-27 Filename: 185384_eng.pdf

Function

The base is used in combination with an upper part, the IPT*-FP read/write station. An addressable RS 485 interface is available. It is thus possible to create a simple bus connection with up to 30 subscribers. The address is set and the terminating resistor for the bus is connected via DIP switches. The read/write station is connected to a higher-order control system via the serial interface and receives the commands for writing and/or reading code or data carriers via this interface.

Refer to "General Notes Relating to Pepperl+Fuchs Product Information".

Pepperl+Fuchs Group
www.pepperl-fuchs.com

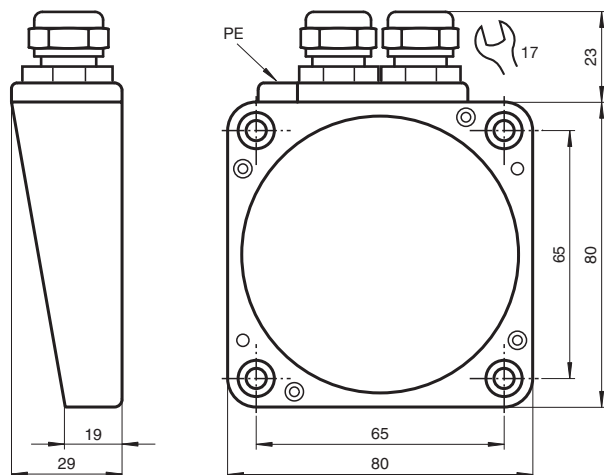
USA: +1 330 486 0001
fa-info@us.pepperl-fuchs.com

Germany: +49 621 776 1111
fa-info@de.pepperl-fuchs.com

Singapore: +65 6779 9091
fa-info@sg.pepperl-fuchs.com

pf PEPPERL+FUCHS

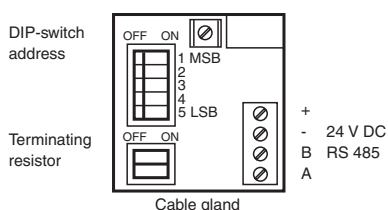
Dimensions



Technical Data

Indicators/operating means	
DIP switch	Setting the station address bus connection ON = active OFF = non-active
Electrical specifications	
Rated operating voltage	U_e 20 ... 30 V DC , ripple 10 % _{SS} , PELV
Power consumption	P_0 max. 4 W with read/write head IPT*-FP
Galvanic isolation	
Operating voltage/interface	functional insulation acc. to DIN EN 50178, rated insulation voltage 50 V _{eff}
Interface	
Physical	RS-485, addressable , up to 30 bases , address 1 ... 30
Protocol	ASCII
Transfer rate	1200; 2400; 4800; 9600; 19200; 38400 Bit/s
Cable length	≤ 1200 m
Compliance with standards and directives	
Standard conformity	
Degree of protection	EN 60529
Ambient conditions	
Ambient temperature	-25 ... 70 °C (-13 ... 158 °F)
Storage temperature	-40 ... 85 °C (-40 ... 185 °F)
Mechanical specifications	
Degree of protection	IP67 (only in connection with write/read head or cover)
Connection	screw terminals
Interface cable	2 conductor, acc. to RS-485
Supply	up to 3 x 1.5 mm ²
Material	
Housing	stainless steel V4A

Connection



Release date: 2020-03-27 Date of issue: 2020-03-27 Filename: 185384_eng.pdf

Refer to "General Notes Relating to Pepperl+Fuchs Product Information".

Pepperl+Fuchs Group
www.pepperl-fuchs.com

USA: +1 330 486 0001
fa-info@us.pepperl-fuchs.com

Germany: +49 621 776 1111
fa-info@de.pepperl-fuchs.com

Singapore: +65 6779 9091
fa-info@sg.pepperl-fuchs.com

PF PEPPERL+FUCHS