

## Base for read/write station

### U-P6-B6-V15B

- PROFIBUS DP acc. to EN 50170
- M12 round connection for supply
- M12 round connection for BUS (B-coded)
- Complete read/write functionality via the PROFIBUS DP
- Transmission of up to 7 double words, 32 bit each, in one cycle
- Connectable bus termination
- Field device with degree of protection IP67

Base for PROFIBUS DP, plug-in connection

CE

**IDENT-I System P**

Release date: 2020-03-27 Date of issue: 2020-03-27 Filename: 130150\_eng.pdf

## Function

The base is used in combination with an upper part, the IPT\*-FP read/write station. The device is operated as a slave on the PROFIBUS DP. The device makes available the complete read/write functionality. Up to 32 bytes are transmitted per cycle. Of these, up to 7 double words, each with 32 bits, are available to the user. The rounded connector M12 for BUS and supply allows a rapid assembly.

Refer to "General Notes Relating to Pepperl+Fuchs Product Information".

Pepperl+Fuchs Group  
www.pepperl-fuchs.com

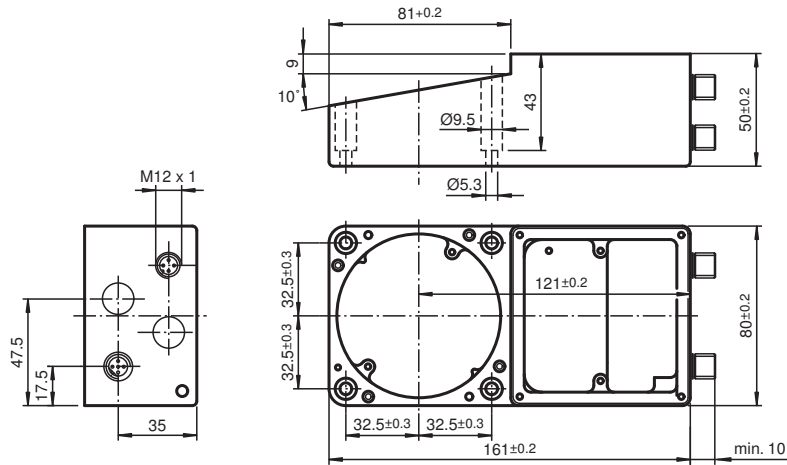
USA: +1 330 486 0001  
fa-info@us.pepperl-fuchs.com

Germany: +49 621 776 1111  
fa-info@de.pepperl-fuchs.com

Singapore: +65 6779 9091  
fa-info@sg.pepperl-fuchs.com

**pf** PEPPERL+FUCHS

## Dimensions



## Technical Data

### Indicators/operating means

DIP switch	Setting the station address bus connection ON = active OFF = non-active
------------	---

### Electrical specifications

Rated operating voltage	$U_e$	20 ... 30 V DC , ripple 10 % <sub>SS</sub> , PELV
Power consumption	$P_0$	max. 5 W with read/write head IPT*-FP

### Galvanic isolation

Operating voltage/interface	functional insulation acc. to DIN EN 50178, rated insulation voltage 50 V <sub>eff</sub>
-----------------------------	--

### Interface

Physical	RS-485
Protocol	PROFIBUS DP acc. to EN 50170
Transfer rate	9.6; 19.2; 93.75; 187.5; 500; 1500 kBit/s 3; 6; 12 Mbit/s self-synchronizing

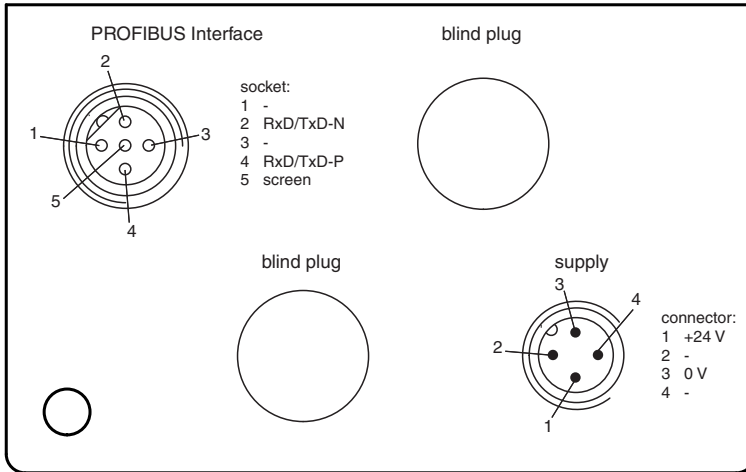
### Ambient conditions

Ambient temperature	-25 ... 70 °C (-13 ... 158 °F)
Storage temperature	-40 ... 85 °C (-40 ... 185 °F)
Climatic conditions	air humidity max. 95 %


### Mechanical specifications

Degree of protection	IP67 according to EN 60529 with IPT*-FP
Connection	4-pin, M12 x 1 connector for supply; M12 x 1 device socket, 5-pin, B-coded for PROFIBUS
Material	
Housing	aluminum, black anodized


**Connection**



**Matching system components**

	<p><b>IPT1-FP</b></p>	<p>LF R/W system, fully assembled as configuration and test station</p>
---	-----------------------	---

**Accessories**

	<p><b>ICZ-TR-V15B</b></p>	<p>Terminal resistor for PROFIBUS</p>
--	---------------------------	---------------------------------------

Release date: 2020-03-27 Date of issue: 2020-03-27 Filename: 130150\_eng.pdf