

Protective cover

ICS-30GK

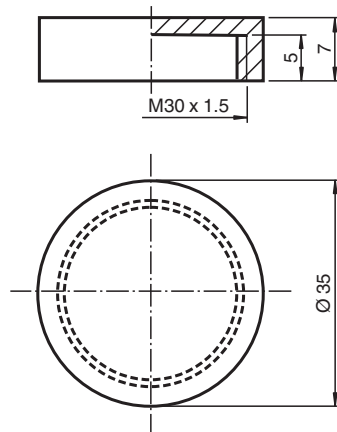


- Protective cover with M30 x 1.5 thread
- For temperatures up to 150 °C (302 °F)

Protective cover



Dimensions



Technical Data

Ambient conditions

Storage temperature -40 ... 150 °C (-40 ... 302 °F)

Mechanical specifications

Material Delrin

Release date: 2020-03-20 Date of issue: 2020-03-27 Filename: 028404_eng.pdf

Refer to "General Notes Relating to Pepperl+Fuchs Product Information".

Pepperl+Fuchs Group
www.pepperl-fuchs.com

USA: +1 330 486 0001
fa-info@us.pepperl-fuchs.com

Germany: +49 621 776 1111
fa-info@de.pepperl-fuchs.com

Singapore: +65 6779 9091
fa-info@sg.pepperl-fuchs.com

 PEPPERL+FUCHS

Mounting

The protective cap is screwed over the inductive code carrier. The code carrier can be read through the protective cap.