



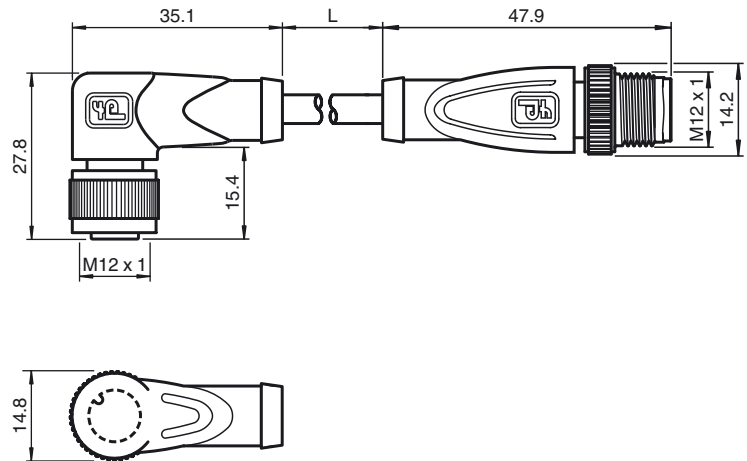
Model Number

V1-W-1,5M-PUR-V1-G
 Connection cable, M12 to M12, PUR cable, 4-pin

Features

- Knurled nut suitable for tool assembly
- Immunity to vibration, with mechanical latching
- Gold plated contacts
- Degree of protection IP67 / IP68 / IP69K
- Halogen-free

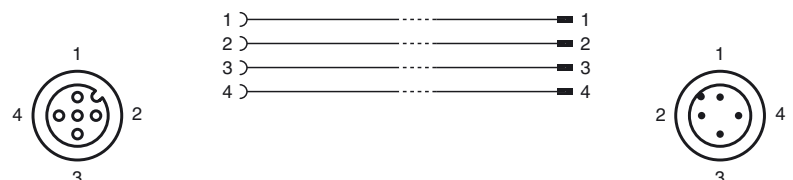
Dimensions



Technical data

General specifications		
Number of pins		4
Electrical specifications		
Operating voltage	U_B	max. 250 V AC/DC
Operating current	I_B	max. 4 A
Contact resistance		< 10 mΩ
Ambient conditions		
Ambient temperature		-25 ... 100 °C (-13 ... 212 °F) for temperatures over 80 °C (176 °F) reduced elongation at tear
Pollution degree		3
Mechanical specifications		
Contact elements		spring-loaded contact socket
Pin diameter		1 mm
Degree of protection		IP67 / IP68 / IP69K
Material		
Contacts		CuSn / Au
Contact surface		Au
Body		TPU, black
Cable		PUR
Slotted nut		Diecast zinc
Sleeve connector		Diecast zinc
Core insulation		PP
Cable		fine-strand, flexible
Sheath diameter		Ø 4.8 mm
Bending radius		> 10 x cable diameter, moving
Color		grey
Number of cores		4
Core cross-section		0.34 mm ²
Conductor construction		19 x 0.15 mm Ø
Length	L	1.5 m
Flammability		
Contact carrier		94 HB
Housing		94 V-2
Compliance with standards and directives		
Standard conformity		
Degree of protection		EN 60529:2000
Standards		IEC 61076-2-101:2008

Electrical connection



Release date: 2016-01-18 08:51 Date of issue: 2016-01-18 240776-0017_eng.xml