



**Model number**

**ICRL-U-5RJ45-DIN-NT**

Ethernet unmanaged switch with 5 RJ45 ports and port alarm

**Features**

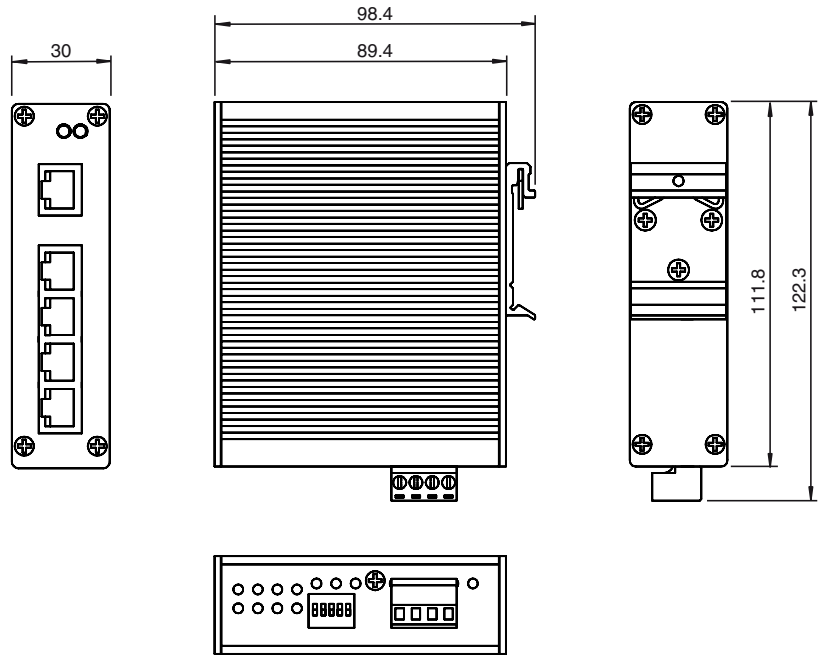
- Five - 10/100BASE-TX ports
- Rugged housing for use in harsh environments
- Alarm relay output for port event notifications
- DC power input

**Function**

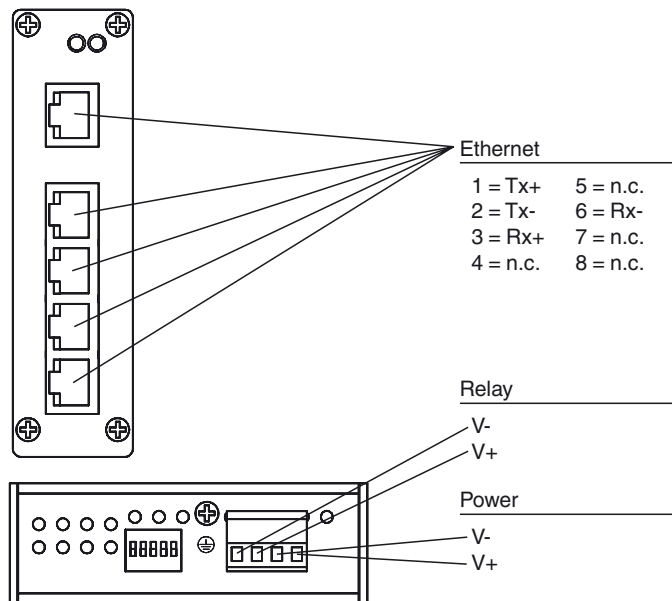
The ICRL-U-5RJ45-DIN-NT industrial Ethernet switch is used to build high performance Ethernet networks. The switch is designed for applications that require normal operating temperature range, rugged housings, high-performance communications, and reliable data transfer.

This unmanaged switch provides a cost-effective solution for low-level field device connections without the need for complex configuration.

**Dimensions**



**Electrical connection**



Release date: 2019-12-12 11:29 Date of issue: 2019-12-12 70114052\_eng.xml

Refer to "General Notes Relating to Pepperl+Fuchs Product Information".

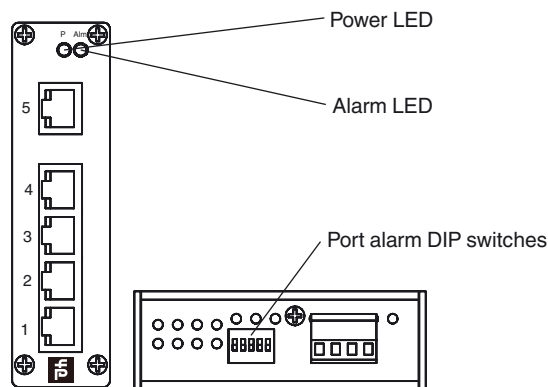
Pepperl+Fuchs Group  
www.pepperl-fuchs.com

USA: +1 330 486 0001  
fa-info@us.pepperl-fuchs.com

Germany: +49 621 776 4411  
fa-info@de.pepperl-fuchs.com

Singapore: +65 6779 9091  
fa-info@sg.pepperl-fuchs.com

## Indicating / Operating means



## Technical data

## General specifications

UL File Number	E185802
----------------	---------

## Ethernet Interface

Auto-MDI(-X)	yes
Autonegotiation	yes
Standards	
IEEE 802.3 10BASE-T	yes
IEEE 802.3u 100BASE-TX	yes
IEEE 802.3x Flow Control and Back-pressure	yes

## Indicators/operating means

LED indication	see manual
----------------	------------

## Electrical specifications

Rated operating voltage	$U_e$	18 ... 32 V DC
Power consumption		3 W
General information		Port Failure, DIP switch enabled, Relay Rating, 1A Max. @ 24VDC
Nominal voltage		24 V DC
Current consumption		typ. 20 mA

## Interface 1

Interface type	Industrial Ethernet
Physical	RJ45
Transfer rate	10/100 Mbps

## Inputs/Outputs

Number/Type	5 x RJ45
-------------	----------

## Directive conformity

Electromagnetic compatibility	
Directive 2014/30/EU	EN61000-6-2, EN55024

## Standard conformity

Electrical safety	CSA C22.2 No. 60950 / CSA C22.2 No. 60950/UL60950
Emitted interference	EN 55055
Noise immunity	EN 55024

## Ambient conditions

Ambient temperature	-25 ... 70 °C (-13 ... 158 °F)
Storage temperature	-40 ... 85 °C (-40 ... 185 °F)
Relative humidity	max. 95 %
Altitude	0 ... 3048 m

## Mechanical specifications

Degree of protection	IP31
Connection	Power Supply Terminal Block Fieldbus 5 x RJ45
Material	
Housing	aluminium, black
Mass	295 g
Construction type	Cabinet module
Mounting	DIN rail or direct panel mounting

## Accessories

## V45-G-C5-GN1M-PUR-E1S

Ethernet bus cable male cordset single-ended RJ45 PROFINET-coded, 4-pin, PUR cable green, Cat5e, shielded

## V45-G-C5-GN3M-PUR-E1S

Ethernet bus cable male cordset single-ended RJ45 PROFINET-coded, 4-pin, PUR cable green, Cat5e, shielded

## V45-G-C5-GN10M-PUR-E1S

Ethernet bus cable male cordset single-ended RJ45 PROFINET-coded, 4-pin, PUR cable green, Cat5e, shielded

## V45-G-C5-GN1M-PUR-E1S-V45-G

Ethernet bus cable RJ45 to RJ45 PROFINET-coded, 4-pin, PUR cable green, Cat5e, shielded

## V45-G-C5-GN3M-PUR-E1S-V45-G

Ethernet bus cable RJ45 to RJ45 PROFINET-coded, 4-pin, PUR cable green, Cat5e, shielded

## V45-G-C5-GN10M-PUR-E1S-V45-G

Ethernet bus cable RJ45 to RJ45 PROFINET-coded, 4-pin, PUR cable green, Cat5e, shielded

## V45-G-C5-GN20M-PUR-E1S-V45-G

Ethernet bus cable RJ45 to RJ45 PROFINET-coded, 4-pin, PUR cable green, Cat5e, shielded