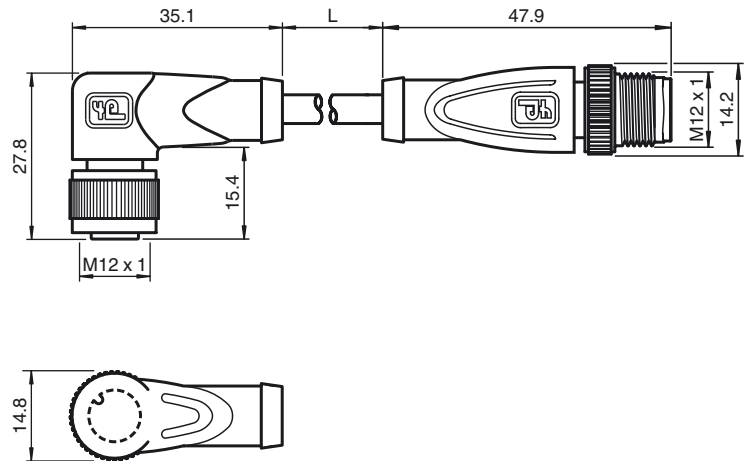




**Dimensions**



**Model Number**

**V1-W-BK1,5M-PUR-A-V1-G**

Connection cable, M12 to M12, PUR cable, 4-pin

**Features**

- Improved resistance to weld slag
- Suitable for drag chains
- Suitable for robotic applications / torsion resistant
- Flame resistant cable
- Halogen-free
- Resistant to microbes and hydrolysis
- Free from substances that impair paint wetting
- Immunity to vibration, with mechanical latching
- Knurled nut suitable for tool assembly

**Technical data**

**General specifications**

Number of pins	4
Connection 1	socket
Construction type 1	right angle
Threading 1	M12
Connection 2	Male connector
Construction type 2	straight
Threading 2	M12

**Electrical specifications**

Operating voltage	$U_B$	max. 250 V AC/DC
Operating current	$I_B$	max. 4 A
Volume resistance		< 5 m $\Omega$

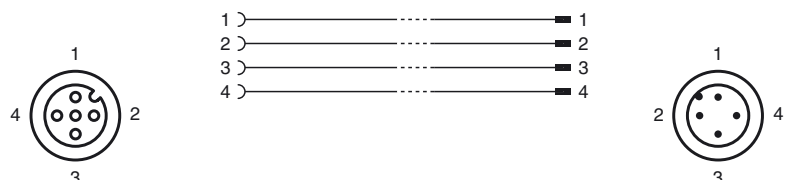
**Ambient conditions**

Ambient temperature	Body: -40 ... 90 °C (-40 ... 194 °F) cable, fixed: -40 ... 80 °C (-40 ... 176 °F) cable, flexing: -25 ... 80 °C (-13 ... 176 °F)
Pollution degree	3

**Mechanical specifications**

Contact elements	spring-loaded contact socket
Pin diameter	1 mm
Degree of protection	IP67
Material	
Contacts	CuSn / Au
Contact surface	Au
Body	TPU, black
Cable	PUR resistant to weld spatter
Slotted nut	Diecast zinc
Sleeve connector	Diecast zinc
Core insulation	PP
Cable	extra-fine wire, flexible
Sheath diameter	$\varnothing$ 4.3 mm
Bending radius	> 10 x cable diameter, moving > 5 x cable diameter, fixed
Color	black
Cores	4 x 0.34 mm <sup>2</sup>
Conductor construction	42 x 0.1 mm $\varnothing$
Length	L 1.5 m
Drag chain suitability	
Drag chain cycles	$\geq$ 5000000 (at max. 60 °C)
Motion velocity	$\leq$ 3.3 m/s
Traverse distance	5 m horizontal
Acceleration	$\leq$ 5 m/s <sup>2</sup>
Torsion cycles	$\geq$ 1000000 (at max. 60 °C)
Torsional stress	$\pm$ 180 °/m

**Electrical connection**



Release date: 2015-01-12 14:01 Date of issue: 2019-05-23 240776-0016\_eng.xml

Refer to "General Notes Relating to Pepperl+Fuchs Product Information".

**Flammability**

Contact carrier	94 HB
Housing	94 V-2
Cable	FT2

**Compliance with standards and directives**

**Standard conformity**

Degree of protection	EN 60529:2000
Standards	IEC 61076-2-101:2008
Flammability	Body: UL 94 Line: UL 1581 Section 1061; IEC 60332-1-2:2004
Halogen-free	IEC 60754-1:1994

Release date: 2015-01-12 14:01 Date of issue: 2019-05-23 240776-0016\_eng.xml