



CE

Model Number

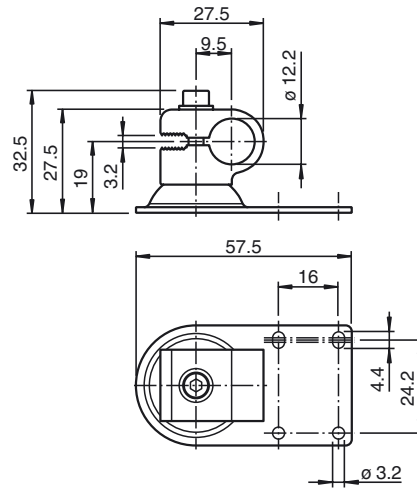
OMH-ML100-09

Mounting aid for round steel \varnothing 12 mm or sheet 1.5 mm ... 3 mm

Features

- Bracket for round steel or sheet
- Simple and fast mounting

Dimensions



Technical data

Mechanical specifications

| | |
|------------------------|-----------------------------------|
| Material | Aluminum Stainless steel |
| Mass | approx. 50 g |
| Mounting | Mounting accessories included |
| Note | Infinitely adjustable on all axes |
| Suitable series | |
| Series | ML100 ; R100 |