



Model Number

NBB2-F29-E2-5M

Features

- 2 mm flush
- 3-wire DC

Technical Data

General specifications

| | | |
|----------------------------|-------|--------------------|
| Switching function | | Normally open (NO) |
| Output type | | PNP |
| Rated operating distance | s_n | 2 mm |
| Installation | | flush |
| Output polarity | | DC |
| Assured operating distance | s_a | 0 ... 1.62 mm |
| Reduction factor r_{AI} | | 0.4 |
| Reduction factor r_{CU} | | 0.3 |
| Reduction factor r_{304} | | 0.7 |
| Output type | | DC, 3-wire |

Nominal ratings

| | | |
|-----------------------------|-------|--|
| Operating voltage | U_B | 4.75 ... 30 V DC |
| Switching frequency | f | 0 ... 1000 Hz |
| Hysteresis | H | typ. 5 % |
| Reverse polarity protection | | reverse polarity protected |
| Short-circuit protection | | pulsing |
| Voltage drop | U_d | ≤ 2 V |
| Operating current | I_L | 0 ... 100 mA |
| Off-state current | I_r | 0 ... 0.5 mA typ. 0.1 μ A at 25 °C |
| No-load supply current | I_0 | ≤ 15 mA |
| Switching state indicator | | LED, yellow |

Functional safety related parameters

| | |
|--------------------------|--------|
| MTTF _d | 1680 a |
| Mission Time (T_M) | 20 a |
| Diagnostic Coverage (DC) | 0 % |

Ambient conditions

| | |
|---------------------|--------------------------------|
| Ambient temperature | -25 ... 70 °C (-13 ... 158 °F) |
| Storage temperature | -40 ... 85 °C (-40 ... 185 °F) |

Mechanical specifications

| | |
|----------------------|-----------------------|
| Connection type | cable PVC, 5 m |
| Core cross-section | 0.14 mm ² |
| Housing material | Ryton R4 |
| Sensing face | Ryton R4 |
| Degree of protection | IP67 |
| Cable | |
| Cable diameter | 3.5 mm \pm 0.2 mm |
| Bending radius | > 10 x cable diameter |

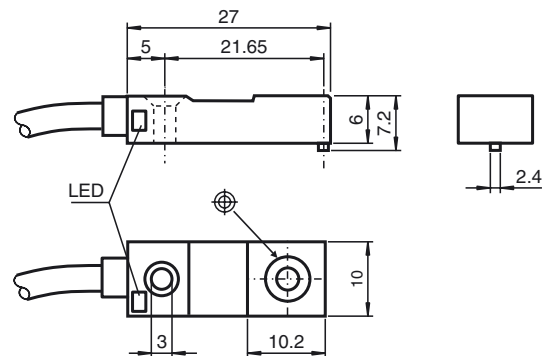
Compliance with standards and directives

| | |
|---------------------|---|
| Standard conformity | |
| Standards | EN 60947-5-2:2007 EN 60947-5-2/A1:2012 IEC 60947-5-2:2007 IEC 60947-5-2 AMD 1:2012 |

Approvals and certificates

| | |
|--------------|--|
| UL approval | cULus Listed, General Purpose |
| CCC approval | CCC approval / marking not required for products rated ≤ 36 V |

Dimensions



Electrical Connection

