



Model Number

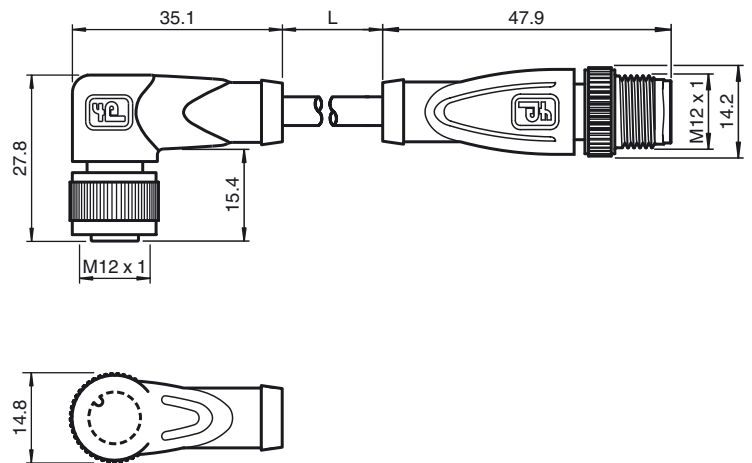
V1-W-E2-2M-PUR-V1-G

Connection cable, M12 to M12 with LED, PUR cable, 3-pin

Features

- Built-in LED, as operating and function indicator
- Knurled nut suitable for tool assembly
- Immunity to vibration, with mechanical latching
- Halogen-free
- Degree of protection IP67 / IP68 / IP69K
- Gold plated contacts

Dimensions



Technical data

General specifications

Number of pins 3

Indicators/operating means

LED green Operating display
LED yellow Functional display NO

Electrical specifications

Operating voltage U_B max. 24 V DC \pm 15%
Operating current I_B max. 4 A
Contact resistance < 10 m Ω

Ambient conditions

Ambient temperature Body: -40 ... 90 °C (-40 ... 194 °F)
cable, fixed: -40 ... 80 °C (-40 ... 176 °F)
cable, flexing: -30 ... 80 °C (-22 ... 176 °F)

Pollution degree 3

Mechanical specifications

Contact elements spring-loaded contact socket
Pin diameter 1 mm
Degree of protection IP67 / IP68 / IP69k

Material

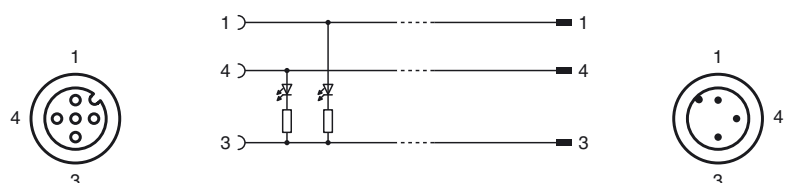
Contacts CuSn / Au
Contact surface Au
Body TPU, transparent/black
Cable PUR
Slotted nut Diecast zinc
Sleeve connector Diecast zinc
Core insulation PP

Cable fine-strand, flexible
Sheath diameter \varnothing 4.8 mm
Bending radius > 10 x cable diameter, moving
Color grey
Number of cores 3
Core cross-section 0.34 mm²
Conductor construction 19 x 0.15 mm \varnothing
Length L 2 m
Flammability
Contact carrier 94 HB
Housing 94 V-2

Compliance with standards and directives

Standard conformity
Degree of protection EN 60529:2000
Standards IEC 61076-2-101:2008
Flammability Grip: UL 94

Electrical connection



Release date: 2016-01-29 16:57 Date of issue: 2016-01-29 192572_eng.xml