



Model Number

PSE4-ROI-02

Rubber profile, oil resistant for safety terminal strips from the PSE4 series

Features

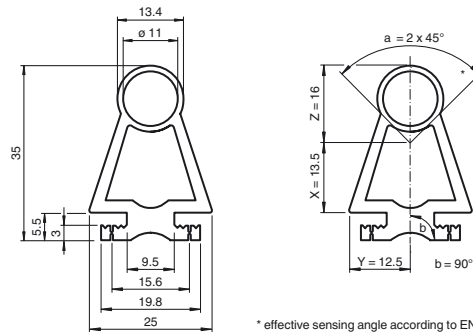
- Rubber profile
- For mounting to ALU mounting strip PSE4-ALU
- Simple to customize to application
- Oil resistant
- Component of PSE4 modular system

Application

In its entirety, the PSE4 safety edge system consists of the control interface, sensors, a rubber sensor strip, and an optional aluminum mounting strip. The system can be used within a temperature range of 5 °C to 55 °C.

The control interface analyzes the signal from the sensors and is designed to be installed in a switch cabinet. The safety contact of the control interface is released by actuating the safety edge. The system as a whole can be used in applications up to Cat. 4/PL e as defined in EN ISO 13849-1.

Dimensions



* effective sensing angle according to EN 1760-2

Technical data

General specifications

Length 2.5 m

Ambient conditions

Ambient temperature 5 ... 55 °C (41 ... 131 °F)

Environmental resistance Excellent

Chemical resistance Resistant against mineral oils and some synthetic oils

Mechanical specifications

Material EPDM (ethylene propylene diene rubber)

Mass approx. 750 g

Notes

The modular PSE system comprises the following components:

PSE4-SL safety thru-beam sensors:

The plug electronics are fully encapsulated in the housing to achieve a high level of resistance to environmental influences such as water, dust, and moisture. Degree of protection IP68 is achieved.

Rubber profiles PSE4-RUB and PSE4-ROI:

The rubber profile is designed as a double-chamber profile. The emitter and receiver are inserted in the round hollow chamber at the top. When the profile is actuated, the optical channel is interrupted and the enable circuits on the control unit open. When actuated near the end, the emitter and/or receiver dip into the lower chamber. This ensures that the beam of light is broken. However, the forces required are high, meaning the end areas are inactive areas in line with EN 1760-2.

PSE4 safety control units:

Controller for the emitter/receiver system.

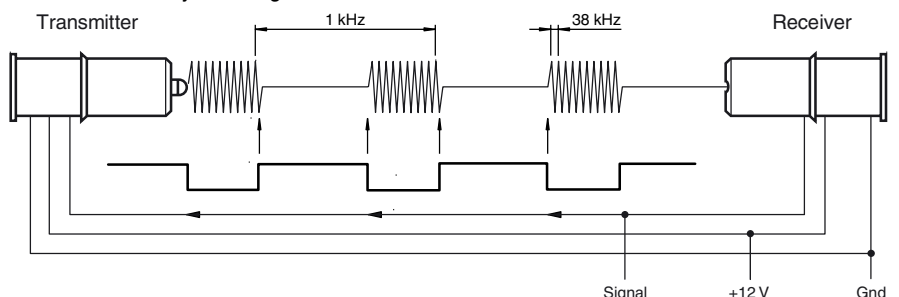
PSE4-ALU aluminum rails:

The aluminum rails are available in various lengths and can be used as an option.

Functional Principle

The emitter transmits pulses of infrared light, which are detected by the receiver. When the emitter light is detected, the receiver turns off the emitter via a control input. The "luminous flux" stops. The receiver also detects this status and the emitter is then switched on again after a specified time. This coupling produces a dynamic signal that is conveyed, in principle, to a charge pump. The pump's charge state is analyzed in the evaluation.

Any errors in the emitter/receiver system affect the optical or electrical signal, which results in the absence of a dynamic signal.



Release date: 2019-07-24 14:32 Date of issue: 2019-07-24 233906_eng.xml

Refer to "General Notes Relating to Pepperl+Fuchs Product Information".

Note:
Safety edges must be fully installed to comply with the EC-Type Examination Certificate for the PSE4 series.

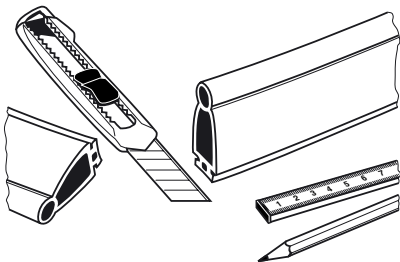
Possible combinations

	PSE4-ALU-*	PSE4-ALU-3009-*	PSE4-ROI-*	PSE4-RUB-*	PSE4-RUB-30EPDM58-*	PSE2-SC-*	PSE4-SC-*	PSE4-SL-*
PSE4-ALU-*			X	X	-	X	X	X
PSE4-ALU-3009-*			-	-	X	X	X	X
PSE4-ROI-*	X	-				X	X	X
PSE4-RUB-*	X	-				X	X	X
PSE4-RUB-30EPDM58-*	-	X				X	X	X
PSE2-SC-*	X	X	X	X	X			X
PSE4-SC-*	X	X	X	X	X			X
PSE4-SL-*	X	X	X	X	X	X	X	

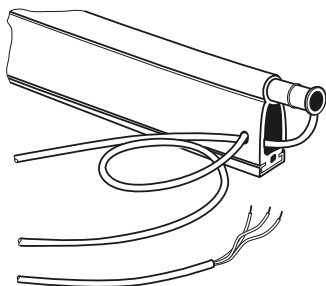
Mounting or replacing sensors



Note!
Measures for vertical mounting
When mounted vertically, the profile must be secured to prevent it from slipping out.



Cut rubber profile PSE4-RUB-XX or PSE4-ROI-XX and the corresponding aluminum mounting strip PSE4-ALU-XX to the required length.



Insert the emitter and receiver into the hollow chamber.
Guide the emitter cable through the second hollow chamber to the receiver side.

Release date: 2019-07-24 14:32 Date of issue: 2019-07-24 233906_eng.xml