

Base for read/write station, stainless steel version

U-P3V4A-RX

- high-grade steel housing V4A
- With serial interfaces RS 232 and RS 485
- Degree of protection IP67
- Resistant against cleaning material

Base with serial interfaces RS 232 and RS 485, stainless steel version V4A

CE

iDENT-I System P

Release date: 2020-03-27 Date of issue: 2020-03-27 Filename: 126903_eng.pdf

Function

The base is used in combination with an upper part, the IPT*-FP read/write station. Either a RS 232 or RS 485 interface is available. The read/write station is connected to a higher-order control system via the serial interface and receives the commands for writing and/or reading code or data carriers via this interface.

Refer to "General Notes Relating to Pepperl+Fuchs Product Information".

Pepperl+Fuchs Group
www.pepperl-fuchs.com

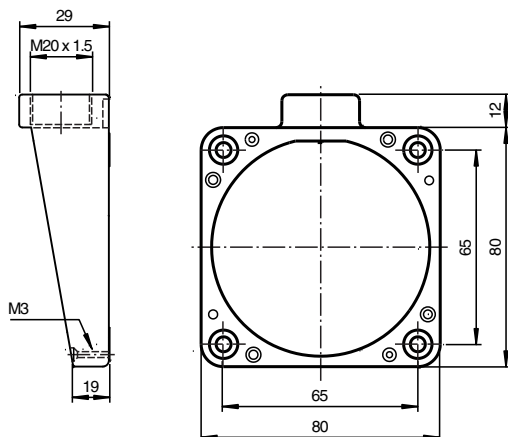
USA: +1 330 486 0001
fa-info@us.pepperl-fuchs.com

Germany: +49 621 776 1111
fa-info@de.pepperl-fuchs.com

Singapore: +65 6779 9091
fa-info@sg.pepperl-fuchs.com

pf PEPPERL+FUCHS

Dimensions



Technical Data

Electrical specifications

Rated operating voltage	U_e	20 ... 30 V DC , ripple 10 % _{SS} , PELV
Power consumption	P_0	max. 4 W with read/write head IPT*-FP

Galvanic isolation

Operating voltage/interface	functional insulation acc. to DIN EN 50178, rated insulation voltage 50 V _{eff}
-----------------------------	--

Interface

Physical	RS-232/RS-485
Protocol	ASCII
Transfer rate	1200; 2400; 4800; 9600; 19200; 38400 Bit/s
Cable length	≤ 15 m at RS 232 ≤ 1200 m at RS-485

Compliance with standards and directives

Standard conformity

Degree of protection	EN 60529
----------------------	----------

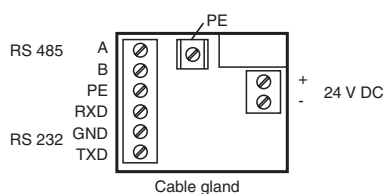
Ambient conditions

Ambient temperature	-25 ... 70 °C (-13 ... 158 °F)
Storage temperature	-40 ... 85 °C (-40 ... 185 °F)


Mechanical specifications

Degree of protection	IP67 (only in connection with write/read head or cover)
Connection	screw terminals
Interface cable	3 conductor, acc. to RS-232 or 2 acc. to RS-485
Supply	up to 3 x 1.5 mm ²
Material	
Housing	stainless steel V4A



Connection



Matching system components

	IPT1-FP	LF R/W system, fully assembled as configuration and test station
---	----------------	--

Accessories

	RFIDControl	Software for RFID identification systems
	RFIDControl	Hot water appliances

Programming

Communication with the identification system is very easy with the demo program IDENT 2005. It shows the system options and simplifies commissioning.

The demo program is included in the scope of delivery.

Release date: 2020-03-27 Date of issue: 2020-03-27 Filename: 126903_eng.pdf

Refer to "General Notes Relating to Pepperl+Fuchs Product Information".

Pepperl+Fuchs Group
www.pepperl-fuchs.com

USA: +1 330 486 0001
fa-info@us.pepperl-fuchs.com

Germany: +49 621 776 1111
fa-info@de.pepperl-fuchs.com

Singapore: +65 6779 9091
fa-info@sg.pepperl-fuchs.com

 **PEPPERL+FUCHS**