



**Model Number**

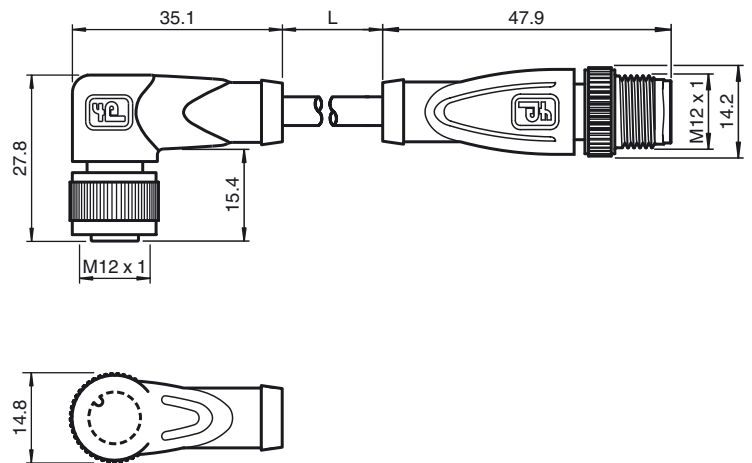
**V1-W-A2-0,3M-PUR-V1-G**

Connection cable, M12 to M12 with LED, PUR cable, 4-pin

**Features**

- Built-in LED, as operating and functional indicator
- Knurled nut suitable for tool assembly
- Immunity to vibration, with mechanical latching
- Degree of protection IP67 / IP68 / IP69K
- Halogen-free
- Gold plated contacts

**Dimensions**



**Technical data**

**General specifications**

Number of pins 4

**Indicators/operating means**

LED green Operating display  
LED yellow Functional display NO contact

**Electrical specifications**

Operating voltage  $U_B$  max. 24 V DC  $\pm$  15%  
Operating current  $I_B$  max. 4 A  
Contact resistance < 10 m $\Omega$

**Ambient conditions**

Ambient temperature -40 ... 90 °C (-40 ... 194 °F)  
cable, fixed: -40 ... 80 °C (-40 ... 176 °F)  
cable, flexing: -30 ... 80 °C (-22 ... 176 °F)

Pollution degree 3

**Mechanical specifications**

Contact elements spring-loaded contact socket  
Pin diameter 1 mm  
Degree of protection IP67 / IP68 / IP69k

**Material**

Contacts CuSn / Au  
Contact surface Au  
Body TPU, transparent/black  
Cable PUR  
Slotted nut Diecast zinc  
Sleeve connector Diecast zinc  
Core insulation PP

Cable fine-strand, flexible  
Sheath diameter  $\varnothing$  4.8 mm  
Bending radius > 10 x cable diameter, moving  
Color grey

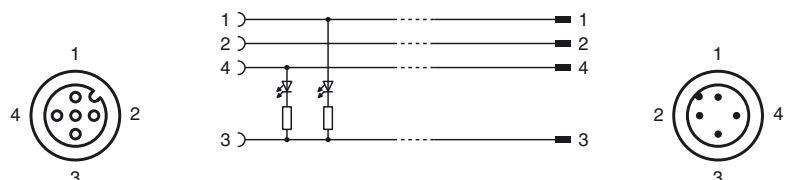
Number of cores 4  
Core cross-section 0.34 mm<sup>2</sup>  
Conductor construction 19 x 0.15 mm  $\varnothing$   
Length L 0.3 m

Flammability  
Contact carrier 94 HB  
Housing 94 V-2

**Compliance with standards and directives**

Standard conformity  
Degree of protection EN 60529:2000  
Standards IEC 61076-2-101:2008  
Flammability Grip: UL 94

**Electrical connection**



Release date: 2016-01-29 16:56 Date of issue: 2016-01-29 240780-0019\_eng.xml

Refer to "General Notes Relating to Pepperl+Fuchs Product Information".

Pepperl+Fuchs Group  
www.pepperl-fuchs.com

USA: +1 330 486 0001  
fa-info@us.pepperl-fuchs.com

Germany: +49 621 776 4411  
fa-info@de.pepperl-fuchs.com

Singapore: +65 6779 9091  
fa-info@sg.pepperl-fuchs.com