



EtherNet/IP™

Model number

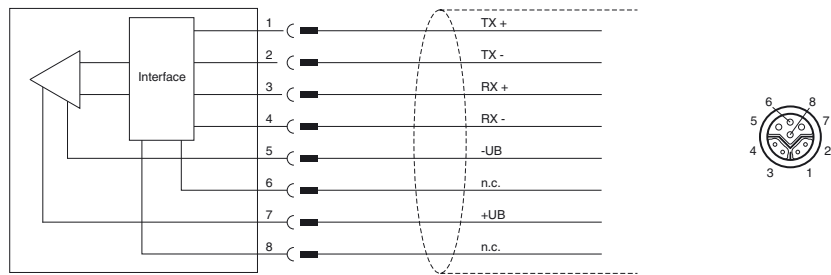
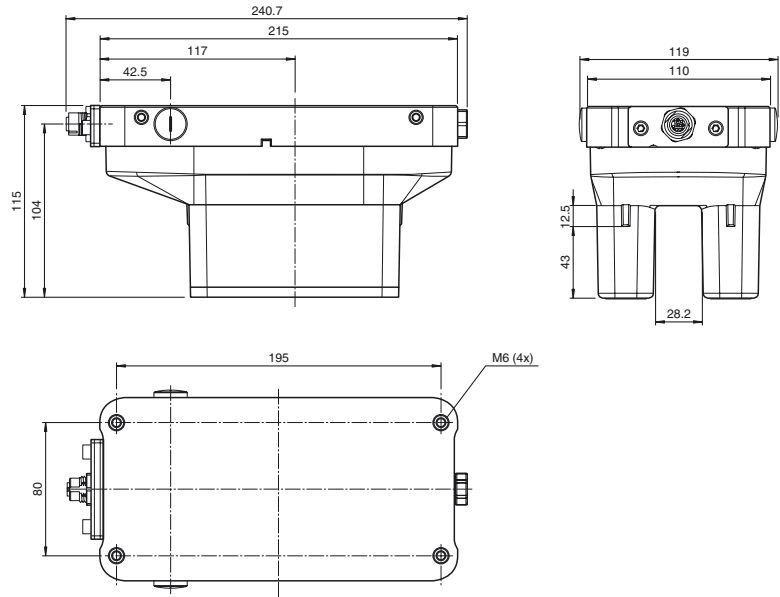
WCS3B-LS510D-OM

Reader with protective enclosure, EtherNet/IP interface

Features

- EtherNet/IP
- Non-contact, absolute position encoder
- Automatic detection of dirt accumulation
- Output of position and speed
- For outdoor use

Dimensions



Technical data

General specifications

Passage speed	v	≤ 12.5 m/s
Measuring range		max. 314.5 m
Free tolerances to code rail		horizontal: 28 mm (± 14 mm) vertical: 25.5 mm (+11.5 mm/-14 mm)
Resolution		± 0.4 mm (1,250 positions/m)

Functional safety related parameters

MTTF _d		181 a
Mission Time (T _M)		20 a
Diagnostic Coverage (DC)		0 %

Indicators/operating means

Display	Display module, 6-digit , adaptable to installation position
LED green	ETHERNET link To: ETHERNET connection OK
LED yellow	ETHERNET Bus Activity Flashing: data transfer
LED red	ETHERNET communication To: communication error
LED red/green	Status indication Green: code rail detected, normal function Red: system error Flashing red: no code rail detected

Electrical specifications

Operating voltage	U _B	10 ... 30 V DC
Power consumption	P ₀	6 W

Interface

Interface type	100 BASE-TX
Data output code	binary code
Protocol	EtherNet/IP

Transfer rate	100 MBit/s
---------------	------------

Release date: 2019-08-12 15:51 Date of issue: 2019-08-12 312682_eng.xml

Refer to "General Notes Relating to Pepperl+Fuchs Product Information".

Standard conformity

Emitted interference	EN 61000-6-4:2007+A1:2011
Noise immunity	EN 61000-6-2:2005
Shock resistance	EN 60068-2-27:2009
Vibration resistance	EN 60068-2-6:2008

Ambient conditions

Operating temperature	0 ... 60 °C (32 ... 140 °F)
Storage temperature	-40 ... 85 °C (-40 ... 185 °F)

Mechanical specifications

Connection type	8-pin, M12 x 1 connector socket, Y-coded
Degree of protection	IP67 / IP69
Material	
Housing	PET , PC (Polycarbonate)
Mass	1000 g
Note	The reader must not be operated without the protective housing!

Accessories**V19SY-G-BK5M-PUR-ABG**

Male single-ended cordset, M12, 8-pin, Y encryption, PUR cable, shielded

V19SY-G-BK2M-PUR-ABG

Male single-ended cordset, M12, 8-pin, Y encryption, PUR cable, shielded

V19SY-G-BK10M-PUR-ABG

Male single-ended cordset, M12, 8-pin, Y encryption, PUR cable, shielded

V45-G

Field-attachable male connector

WCS3B-OPC

Outdoor protective cover for WCS3B reader

V45-GP

Field-attachable "Push-Pull" connector

V15S-W-ABG-PG9

Cable connector, M12, 5-pin, shielded, non pre-wired

V15S-G-ABG-PG9

Cable connector, M12, 5-pin, shielded, non pre-wired

WCS3B-OBP

Stopping plugs For WCS3B-OP* housing

V1SD-G-5M-PUR-ABG-V45-G

Connection cable, M12 to RJ-45, PUR cable 4-pin, CAT5e

V19SY-Y-V1D/V1S

Y-Splitter, M12 plug Y-coded to M12 plug A-coded/socket D-coded