



## Base for read/write station, plug-in connection

### U-P3-R4-V15

- Degree of protection IP67
- Simple bus system with up to 30 units
- Serial interface RS 485, addressable

Base with addressable serial Interface RS 485

CE

**iDENT-I System P**

Release date: 2020-03-27 Date of issue: 2020-03-27 Filename: 126128\_eng.pdf

## Function

The base is used in combination with an upper part, the IPT\*-FP read/write station. An addressable RS 485 interface is available. It is thus possible to create a simple bus connection with up to 30 subscribers.

The address is set and the terminating resistor for the bus is connected via DIP switches.

The read/write station is connected to a higher-order control system via the serial interface and receives the commands for writing and/or reading code or data carriers via this interface.

Refer to "General Notes Relating to Pepperl+Fuchs Product Information".

Pepperl+Fuchs Group  
www.pepperl-fuchs.com

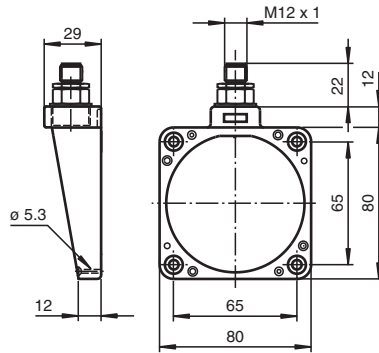
USA: +1 330 486 0001  
fa-info@us.pepperl-fuchs.com

Germany: +49 621 776 1111  
fa-info@de.pepperl-fuchs.com

Singapore: +65 6779 9091  
fa-info@sg.pepperl-fuchs.com

**pf** PEPPERL+FUCHS

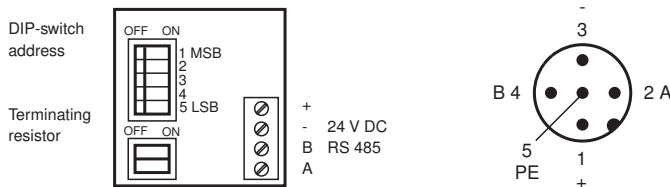
**Dimensions**



**Technical Data**


<b>Indicators/operating means</b>	
DIP switch	Setting the station address bus connection ON = active OFF = non-active
<b>Electrical specifications</b>	
Rated operating voltage	$U_e$ 20 ... 30 V DC , ripple 10 % <sub>SS</sub> , PELV
Power consumption	$P_0$ max. 4 W with read/write head IPT*-FP
Galvanic isolation	
Operating voltage/interface	functional insulation acc. to DIN EN 50178, rated insulation voltage 50 V <sub>eff</sub>
<b>Interface</b>	
Physical	RS-485, addressable , up to 30 bases , address 1 ... 30
Protocol	ASCII
Transfer rate	1200; 2400; 4800; 9600; 19200; 38400 Bit/s
Cable length	≤ 1200 m
<b>Ambient conditions</b>	
Ambient temperature	-25 ... 70 °C (-13 ... 158 °F)
Storage temperature	-40 ... 85 °C (-40 ... 185 °F)
<b>Mechanical specifications</b>	
Degree of protection	IP67 according to EN 60529 with IPT*-FP
Connection	5-pin, M12 x 1 connector
Material	
Housing	diecast aluminum

**Connection**



Release date: 2020-03-27 Date of issue: 2020-03-27 Filename: 126128\_eng.pdf

## Matching system components

	<b>IPT1-FP</b>	LF R/W system, fully assembled as configuration and test station
---	----------------	--

Release date: 2020-03-27 Date of issue: 2020-03-27 Filename: 126128\_eng.pdf

Refer to "General Notes Relating to Pepperl+Fuchs Product Information".

Pepperl+Fuchs Group  
www.pepperl-fuchs.com

USA: +1 330 486 0001  
fa-info@us.pepperl-fuchs.com

Germany: +49 621 776 1111  
fa-info@de.pepperl-fuchs.com

Singapore: +65 6779 9091  
fa-info@sg.pepperl-fuchs.com