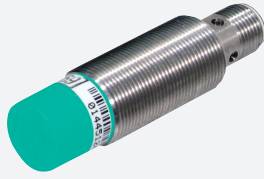


Read/write station

IQT2-18GM-R4-V1

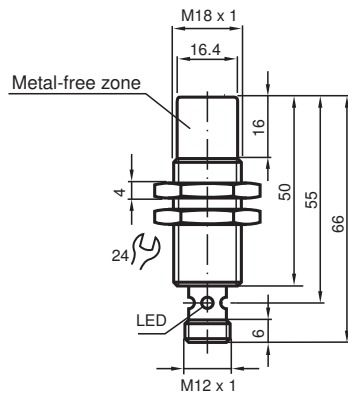


- Operating frequency 13.56 MHz
- Complies with ISO 14443
- Read/write head with thread M18 x 1
- Connection via V1 (M12 x 1) plug connection
- Multihole-LED for function display
- Degree of protection IP67
- Connection via integrated RS-485 interface

Read/write station



Dimensions



Technical Data

General specifications	
Operating frequency	13.56 MHz
Transfer rate	106 kBit/s
Sensing range	
Read distance	0 ... 22 mm
Write distance	0 ... 22 mm
Width	max. 40 mm
Indicators/operating means	
LED green/yellow	Multihole-LED: green: power on green flashing: read/write attempt performed yellow: data carrier detected
Electrical specifications	
Power consumption	$P_0 \leq 1.3 \text{ W}$
Interface	
Physical	RS-485 point-to-point connection
Protocol	ASCII

Release date: 2020-03-24 Date of issue: 2020-03-27 Filename: 265938_eng.pdf

Refer to "General Notes Relating to Pepperl+Fuchs Product Information".

Pepperl+Fuchs Group
www.pepperl-fuchs.com

USA: +1 330 486 0001
fa-info@us.pepperl-fuchs.com

Germany: +49 621 776 1111
fa-info@de.pepperl-fuchs.com

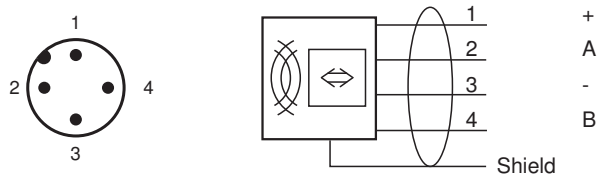
Singapore: +65 6779 9091
fa-info@sg.pepperl-fuchs.com

PEPPERL+FUCHS

Technical Data

Transfer rate	1200, 2400, 4800, 9600, 19200, 38400 (default) Bit/s
Cable length	≤ 3 m
Compliance with standards and directives	
Directive conformity	
R&TTE Directive 1995/5/EC	EN 301489-1 V1.8.1 (2008-04), EN 301489-3 V1.4.1 (2002-08), EN 300330-2 V1.3.1 (2006-04), EN 60950-1:2006
Standard conformity	
Degree of protection	EN 60529:2000
RFID	ISO/IEC 14443-2:2010, ISO/IEC 14443-3:2001
Ambient conditions	
Ambient temperature	-25 ... 70 °C (-13 ... 158 °F)
Storage temperature	-40 ... 85 °C (-40 ... 185 °F)
Mechanical specifications	
Degree of protection	IP67
Connection	M12 x 1 connector
Material	
Housing	PBT/stainless steel
Encapsulation compound	CY 221/HY 2966
Installation	non-flush
Distance between two heads	≥ 80 mm
Mass	approx. 40 g

Connection



Accessories

	V1-G-5M-PUR-ABG-V1-W	Connecting cable, M12 to M12, PUR cable 4-pin, shielded
	V1-G-10M-PUR-ABG-V1-W	Connecting cable, M12 to M12, PUR cable 4-pin, shielded
	IQC42-C1	Data carrier
	IQC43-30	Data carrier
	IQC43-50	Data carrier