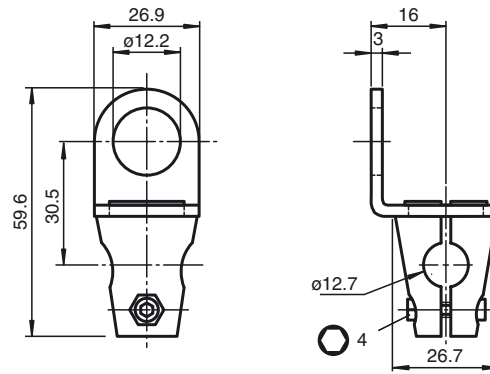




**Dimensions**



**Model Number**

**MH 01-M12**  
Mounting brackets for sensors

**Features**

- Suitable for M12 sensors
- Simple and fast mounting

**Technical data**

**General specifications**

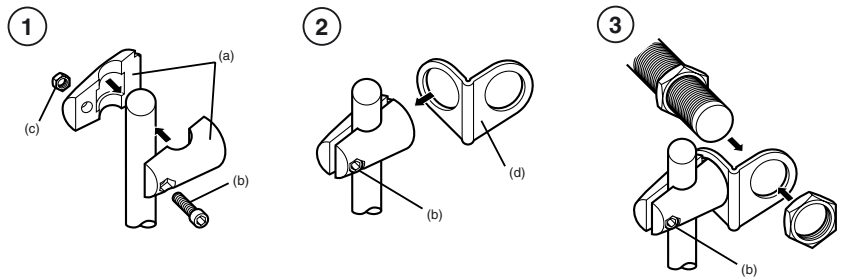
Inside diameter 12 mm

**Mechanical specifications**

Material Clamping cylinder: Diecast zinc  
Support bracket: Steel

Note rod not included

**Installation instructions**



- ① Fasten the two parts of the mounting clamp (a) loosely by means of the screw (b) and the nut (c) supplied.
- ② Attach the mounting bracket (d) and then tighten the screw (b) in such a way that the bracket can still be turned.
- ③ Tighten the screw fully after the sensor has been mounted and aligned.

Release date: 2019-05-22 16:18 Date of issue: 2019-05-22 913337\_eng.xml