



Model Number

NJ50-FP-A-P1

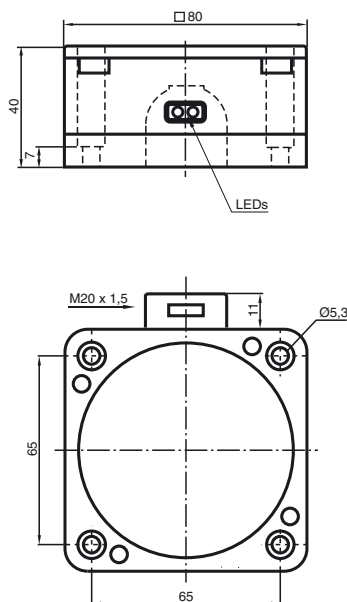
Features

- Comfort series

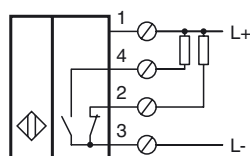
Technical Data

General specifications	
Switching function	complementary
Output type	NPN
Rated operating distance	s_n 50 mm
Installation	non-flush
Output polarity	DC
Assured operating distance	s_a 0 ... 40.5 mm
Reduction factor r_{AI}	0.4
Reduction factor r_{CU}	0.3
Reduction factor r_{304}	0.85
Output type	4-wire
Nominal ratings	
Operating voltage	U_B 10 ... 30 V
Switching frequency	f 0 ... 100 Hz
Hysteresis	H typ. 3 %
Reverse polarity protection	reverse polarity protected
Short-circuit protection	pulsing
Voltage drop	U_d \leq 3 V
Operating current	I_L 0 ... 200 mA
Off-state current	I_r 0 ... 0.5 mA typ.
No-load supply current	I_0 \leq 20 mA
Time delay before availability	t_v \leq 30 ms
Operating voltage indicator	LED, green
Switching state indicator	LED, yellow
Ambient conditions	
Ambient temperature	-25 ... 70 °C (-13 ... 158 °F)
Mechanical specifications	
Connection type	screw terminals
Information for connection	A maximum of two conductors with the same core cross section may be mounted on one terminal connection! tightening torque 1.2 Nm + 10 %
Core cross-section	up to 2.5 mm ²
Minimum core cross-section	without wire end ferrule 0.5 mm ² , with connector sleeves 0.34 mm ²
Maximum core cross-section	without wire end ferrule 2.5 mm ² , with connector sleeves 1.5 mm ²
Housing material	PBT
Sensing face	PBT
Degree of protection	IP67
Compliance with standards and directives	
Standard conformity	
Standards	EN 60947-5-2:2007 EN 60947-5-2/A1:2012 IEC 60947-5-2:2007 IEC 60947-5-2 AMD 1:2012
Approvals and certificates	
UL approval	cULus Listed, General Purpose
CSA approval	cCSAus Listed, General Purpose

Dimensions



Electrical Connection



Release date: 2020-01-03 09:17 Date of issue: 2020-01-03 015475_eng.xml