



**Model Number**

NBN30-U4-E0

**Features**

- Sensor head bidirectional and rotatable
- 30 mm non-flush
- 4 LEDs indicator for 360° visibility

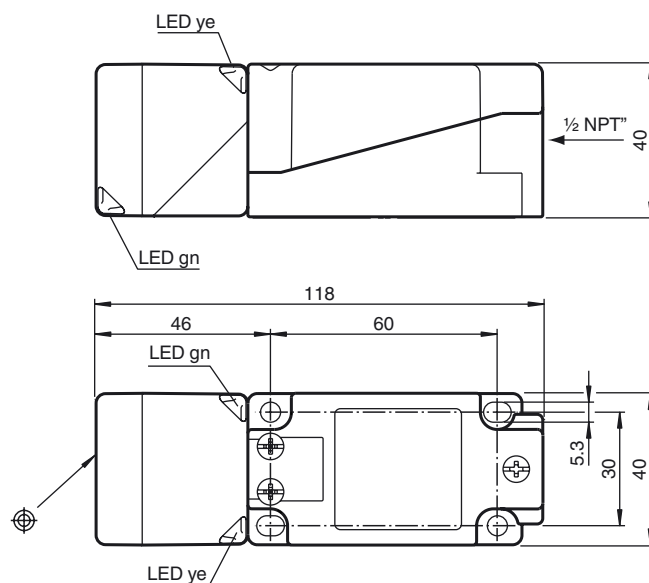
**Accessories**

MHW 01  
Modular mounting bracket

**Technical Data**

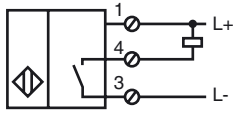
<b>General specifications</b>	
Switching function	Normally open (NO)
Output type	NPN
Rated operating distance	$s_n$ 30 mm
Installation	non-flush
Output polarity	DC
Assured operating distance	$s_a$ 0 ... 24.3 mm
Actual operating distance	$s_r$ 27 ... 33 mm typ. 30 mm
Reduction factor $r_{Al}$	0.33
Reduction factor $r_{Cu}$	0.31
Reduction factor $r_{304}$	0.74
Reduction factor $r_{Brass}$	0.38
Output type	3-wire
<b>Nominal ratings</b>	
Operating voltage	$U_B$ 10 ... 30 V
Switching frequency	$f$ 0 ... 230 Hz
Hysteresis	$H$ typ. 5 %
Reverse polarity protection	reverse polarity protected
Short-circuit protection	pulsing
Voltage drop	$U_d$ $\leq 2$ V
<b>Design data</b>	
Operating current	$I_L$ 0 ... 200 mA
Off-state current	$I_r$ 0 ... 0.5 mA typ. 0.1 $\mu$ A at 25 °C
No-load supply current	$I_0$ $\leq 20$ mA
Time delay before availability	$t_v$ 80 ms
Operating voltage indicator	LED, green
Switching state indicator	LED, yellow
<b>Functional safety related parameters</b>	
MTTF <sub>d</sub>	1510 a
Mission Time (T <sub>M</sub> )	20 a
Diagnostic Coverage (DC)	0 %
<b>Ambient conditions</b>	
Ambient temperature	-25 ... 85 °C (-13 ... 185 °F)
<b>Mechanical specifications</b>	
Connection type	screw terminals
Core cross-section	$\leq 2.5$ mm <sup>2</sup>
Housing material	PA/metal with epoxy powder coating
Sensing face	PA
Housing base	metal
Degree of protection	IP68 / IP69K
Mass	225 g
Note	Tightening torque: 1.8 Nm (housing)
<b>Compliance with standards and directives</b>	
Standard conformity	
Standards	EN 60947-5-2:2007 EN 60947-5-2/A1:2012 IEC 60947-5-2:2007 IEC 60947-5-2 AMD 1:2012
<b>Approvals and certificates</b>	
UL approval	cULus Listed, General Purpose
CCC approval	CCC approval / marking not required for products rated $\leq 36$ V

**Dimensions**



Release date: 2018-11-13 10:46 Date of issue: 2018-11-13 203082\_eng.xml

Electrical Connection



Release date: 2018-11-13 10:46 Date of issue: 2018-11-13 203082\_eng.xml