



Model Number

CBX100

Connector box for barcode scanner

Features

- Connect up to 32 scanners to a network with ID-Net™
- Option of upgrading with memory module
- Easy scanner connection by means of clamp terminals
- Degree of protection IP65

Function

Devices from the CBX* series enable barcode scanners to be connected quickly and easily. A wide variety of connections also allows other field devices to be connected.

By reducing installation time and the number of system failures when a device is replaced, your operating costs will be significantly lower.

Standardized pinning of connections and simple attachment of cable ends using spring terminals ensures easy cable installation.

The configuration of the connected scanner can be saved in backup modules and restored at a later date.

To facilitate installation of the device, the continuous mounting holes are easy to access and the top section of the housing can be removed. Note: Avoid mechanical stress, such as screwing the housing cover together, in deep-freeze areas.

Technical Data

Indicators/operating means

Display elements 5 LEDs (POWER, TRIGGER, IN 2, OUT 1, OUT 2)

Electrical specifications

Operating voltage U_B 10 ... 30 V DC

Current consumption max. 2.5 A

Power consumption P_0 max. 3 W

Ambient conditions

Ambient temperature -35 ... 50 °C (-31 ... 122 °F) Mount, connect, and configure only between 0° ... 50°

Storage temperature -20 ... 70 °C (-4 ... 158 °F)

Relative humidity 90 % , noncondensing

Shock resistance EN 60068-2-27 30G 11 ms ; 3 impacts on each axis

Vibration resistance EN 60068-2-6 1.5 mm 10 ... 55 Hz ; 2 hours on each axis

Mechanical specifications

Degree of protection IP65

Connection 25-pin Sub-D socket for Barcode scanner , M16 cable gland for system connection (4x)

Material

Housing PC (Polycarbonate)

Mass 380 g

Compliance with standards and directives

Directive conformity 89/336 EWG

Standard conformity

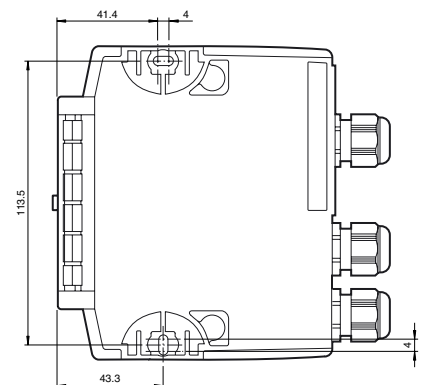
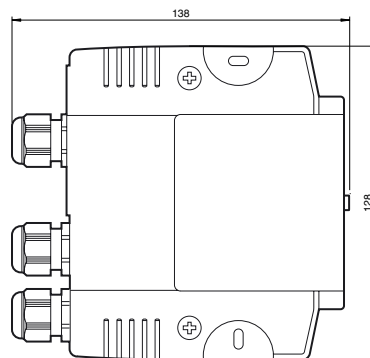
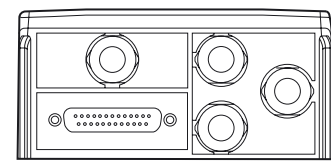
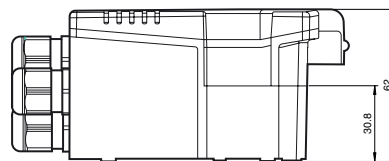
Product standard EN 60947-5-2:2007

IEC 60947-5-2:2007

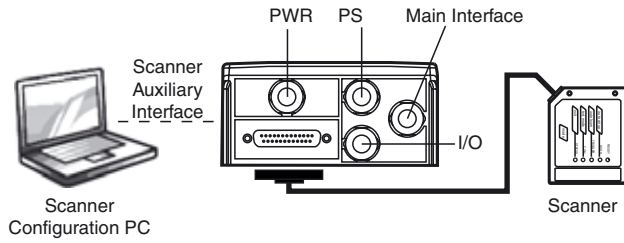
Noise immunity EN 61000-6-2

Degree of protection EN 60529

Dimensions

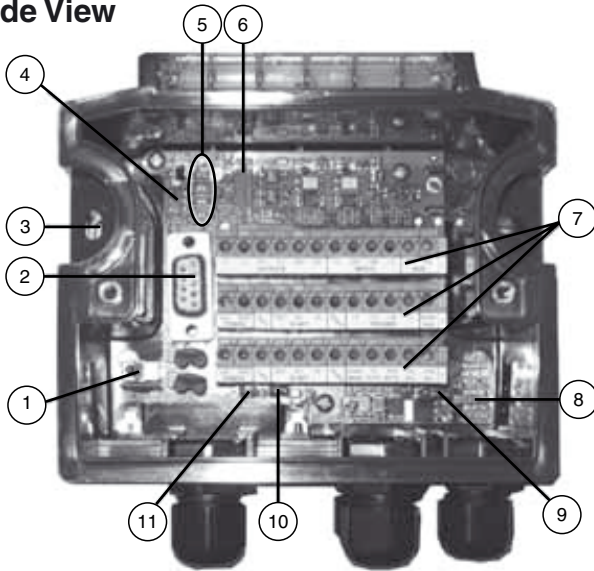


Electrical connection



Electrical connection

Inside View



- | | | | |
|---|---------------------------------|----|---|
| 1 | Power Switch (on/off) | 8 | RS485 Terminator Switch |
| 2 | Serial Interface (SUB-D, 9-pin) | 9 | External Power Source (on/off) |
| 3 | Mounting Holes (2x) | 10 | Adjustment of Shield to Protection Earth via Jumper |
| 4 | ID-NET Terminator Switch | 11 | Adjustment of Chassis Grounding via Jumper |
| 5 | LEDs | | |
| 6 | Backup Module connector | | |
| 7 | Terminal Block | | |

Release Date: 2016-05-04 08:59 Date of issue: 2016-11-03 207507_eng.xml