



Model Number

RC10-14-N3-Y187455

Features

- 10 mm inside diameter
- Comfort series

Technical Data

General specifications

Switching function	Normally closed (NC)
Output type	NAMUR, bistable
Inside diameter	10 mm
Measuring cone	4 mm, 1.4401
Passage speed	v ≤ 10 m/s
Output type	2-wire

Nominal ratings

Nominal voltage	U_o	8 V
Operating voltage	U_B	5 ... 25 V
Hysteresis	H	typ. 1 %
Reverse polarity protection		reverse polarity protected

Design data

Current consumption		
Passage B $U_B=8V$		≥ 3 mA
Passage B $U_B=10V$		≥ 4.2 mA
Passage A $U_B=10V$		0.5 ... 1 mA typ. 0.9 mA
Passage A $U_B=8V$		0.5 ... 0.95 mA typ. 0.8 mA
Power ON		≥ 3 mA with $U_B = 8 V$ ≥ 4.2 mA at $U_B = 10$

Time delay before availability	t_v	≤ 5 ms
--------------------------------	-------	--------

Functional safety related parameters

MTTF _d	2130 a
Mission Time (T_M)	20 a
Diagnostic Coverage (DC)	0 %

Ambient conditions

Ambient temperature	-25 ... 100 °C (-13 ... 212 °F)
Storage temperature	-40 ... 100 °C (-40 ... 212 °F)

Mechanical specifications

Connection type	cable PVC , 2 m Crimp terminal sockets 60888-3, AMP
Core cross-section	0,14 mm ²
Housing material	PBT
Degree of protection	IP67
Cable	
Bending radius	> 10 x cable diameter
Mass	36 g

General information

Use in the hazardous area	see instruction manuals
Category	2G

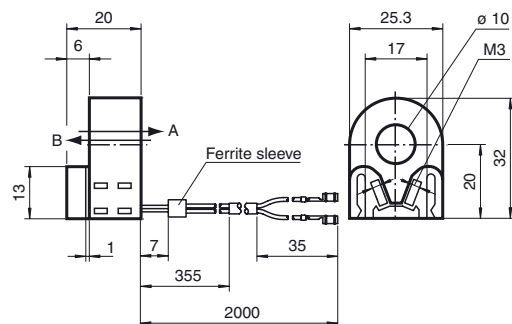
Compliance with standards and directives

Standard conformity	
NAMUR	EN 60947-5-6:2000 IEC 60947-5-6:1999
Standards	EN 60947-5-2:2007 IEC 60947-5-2:2007

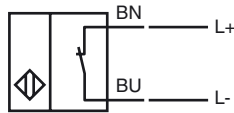
Approvals and certificates

UL approval	cULus Listed, General Purpose
CSA approval	cCSAus Listed, General Purpose

Dimensions



Electrical Connection



Equipment protection level Gb

CE marking	CE 0102	
ATEX marking	Ⓜ II 2G Ex ia IIC T6...T1 Gb The Ex-related marking can also be printed on the enclosed label.	
Standards	EN 60079-0:2012+A11:2013, EN 60079-11:2012 Ignition protection "Intrinsic safety" Use is restricted to the following stated conditions	
Appropriate type	RC10-...-N3...	
Effective internal capacitance	C_i	$\leq 90 \text{ nF}$; a cable length of 10 m is considered.
Effective internal inductance	L_i	$\leq 120 \mu\text{H}$; a cable length of 10 m is considered.
Maximum permissible ambient temperature T_{amb}	Details of the correlation between the type of circuit connected, the maximum permissible ambient temperature, the temperature class, and the effective internal reactance values can be found on the EU-type examination certificate.	

Special conditions

Release date: 2019-04-25 16:33 Date of issue: 2019-04-25 187455_eng.xml