



### Model Number

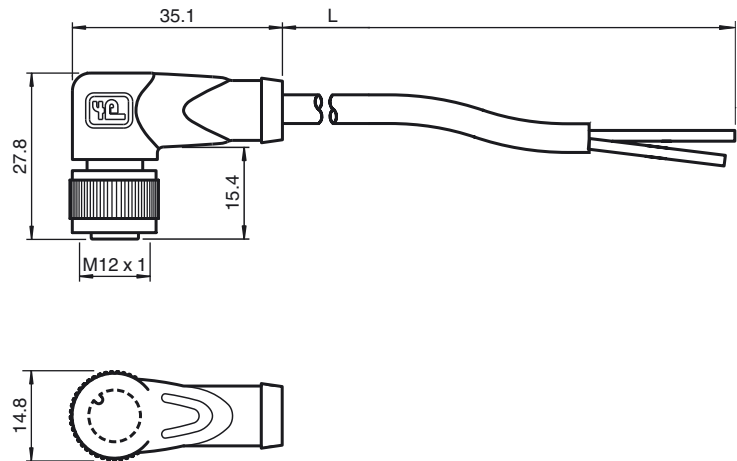
**V1-W-N-40M-PUR**

Female cordset, M12, 2-pin, NAMUR, PUR cable

### Features

- Suitable for NAMUR technology
- Blue sheath
- Knurled nut suitable for tool assembly
- Immunity to vibration, with mechanical latching
- Gold plated contacts
- Degree of protection IP67 / IP68 / IP69K
- Suitable for routing intrinsically safe circuits in accordance with DIN EN 60079-14:2014

### Dimensions



### Technical data

#### General specifications

|                |   |
|----------------|---|
| Number of pins | 2 |
|----------------|---|

#### Electrical specifications

|                    |       |                           |
|--------------------|-------|---------------------------|
| Operating voltage  | $U_B$ | max. 250 V AC/DC          |
| Test voltage       |       | > 500 V <sub>eff</sub> AC |
| Operating current  | $I_B$ | max. 4 A                  |
| Contact resistance |       | < 10 mΩ                   |
| Inductance         |       | 0.55 mH / km              |
| Capacitance        |       | 88.3 nF / km              |

#### Ambient conditions

|                     |   |
|---------------------|---|
| Ambient temperature | Body: -40 ... 90 °C (-40 ... 194 °F)<br>cable -25 ... 100 °C (-13 ... 212 °F) |
|---------------------|---|

|                  |   |
|------------------|---|
| Pollution degree | 3 |
|------------------|---|

#### Mechanical specifications

|                        |   |
|------------------------|---|
| Contact elements       | spring-loaded contact socket                                  |
| Pin diameter           | 1 mm  |
| Degree of protection   | IP67 / IP68 / IP69k   |
| Cable code             | Li FY 11Y 2 x 0.34  |
| Material               |   |
| Contacts               | CuSn / Au   |
| Contact surface        | Au  |
| Body                   | TPU, black  |
| Cable                  | PUR   |
| Slotted nut            | Diecast zinc  |
| Core insulation        | PVC   |
| Cable                  | extra-fine wire, flexible                                     |
| Sheath diameter        | Ø 4.8 mm  |
| Bending radius         | > 15 x cable diameter, moving<br>> 10 x cable diameter, fixed |
| Color                  | blue  |
| Cores                  | 2 x 0.34 mm <sup>2</sup>                                      |
| Conductor construction | 42 x 0.1 mm Ø   |
| Length                 | L 40 m  |
| Flammability           |   |
| Contact carrier        | 94 HB   |
| Housing                | 94 V-2  |

#### Compliance with standards and directives

|                      |                 |
|----------------------|-----------------|
| Standard conformity  |                 |
| Degree of protection | EN 60529        |
| Standards            | IEC 61076-2-101 |

### Electrical connection

