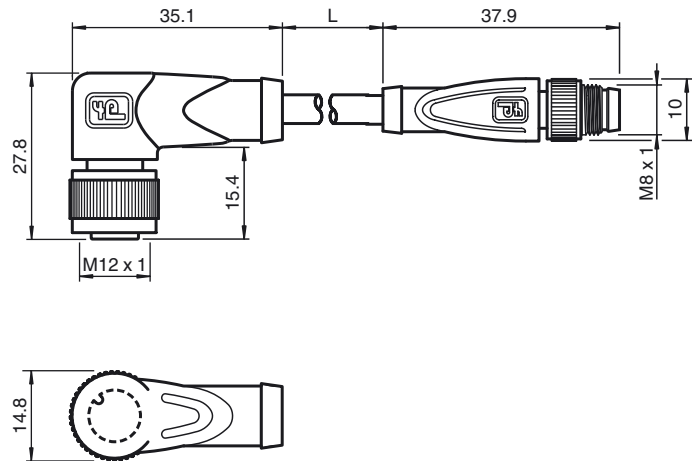




Dimensions



Model Number

V11-W-BK1M-PUR-R1-V3-GM

Cordset, M12 to M8, PUR cable, 3-pin, robotics

Features

- Highly flexible—suitable for robotics
- Knurled nut suitable for tool assembly
- Immunity to vibration, with mechanical latching
- Gold plated contacts
- Suitable for drag chains
- Flame resistant cable
- Halogen-free
- Degree of protection IP67 / IP68 / IP69K
- Resistant to microbes and hydrolysis

Technical data

General specifications

Number of pins 3

Electrical specifications

Operating voltage U_B max. 60 V AC/DC
 Test voltage $> 1500 V_{eff AC}$
 Operating current I_B max. 3 A
 Volume resistance $< 5 m\Omega$

Ambient conditions

Ambient temperature -40 ... 90 °C (-40 ... 194 °F)
 cable, fixed: -40 ... 80 °C (-40 ... 176 °F)
 cable, flexing: -25 ... 80 °C (-13 ... 176 °F)

Pollution degree 3

Mechanical specifications

Contact elements spring-loaded contact socket
 Pin diameter 1 mm
 Degree of protection IP67 / IP68 / IP69k

Material

Contacts CuSn / Au
 Contact surface Au
 Body TPU, black
 Cable PUR
 Slotted nut Diecast zinc
 Sleeve connector Diecast zinc
 Core insulation PP

Cable extra-fine wire, flexible

Sheath diameter $\varnothing 4.3 mm$
 Bending radius $> 10 \times$ cable diameter, moving
 $> 5 \times$ cable diameter, fixed

Color black (similar to RAL 7021)

Number of cores 4

Core cross-section $0.34 mm^2$

Conductor construction $42 \times 0.1 mm \varnothing$

Length L 1 m

Drag chain suitability

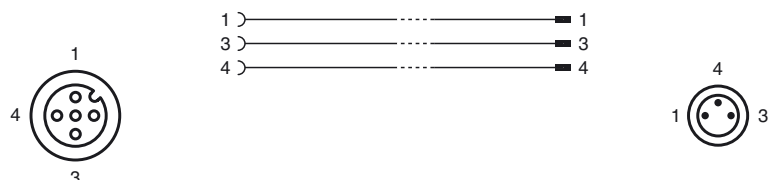
Drag chain cycles ≥ 10000000
 Motion velocity $\leq 3 m/s$
 Acceleration $\leq 10 m/s^2$
 Torsional stress $\pm 360 \text{ }^\circ/m$

Flammability

Contact carrier 94 HB
 Housing 94 V-2
 Cable FT2

Compliance with standards and directives

Electrical connection



Release date: 2016-07-15 11:56 Date of issue: 2016-08-02 295369_eng.xml



Standard conformity	
Degree of protection	EN 60529:2000
Standards	IEC 61076-2-101:2008
Flammability	Grip: UL 94 Cabling: in accordance with UL FT2
Halogen-free	DIN VDE 0472 Part 15 (plastic) DIN EN 50267-2-1 (flue gas)
Chemical resistance	EN 60811-404: 168 h at 100° C
Approvals and certificates	
UL approval	AWM STYLE 20549 80 °C 300V AWM I A/B 80 °C 300V FT2 (cable)

Release date: 2016-07-15 11:56 Date of issue: 2016-08-02 295369_eng.xml