



**Model Number**

**NJ20P+U4+A2**

**Features**

- Only for non-ferrous metals
- 20 mm non-flush
- 4-wire DC

**Accessories**

**MHW 01**  
Modular mounting bracket

**Technical Data**

**General specifications**

Switching element function		PNP	NO/NC
Rated operating distance	$s_n$	20 mm	
Installation		non-flush	
Output polarity		DC	
Assured operating distance	$s_a$	1 ... 16.2 mm	
Reduction factor $r_{Al}$		1	
Reduction factor $r_{Cu}$		1	
Reduction factor $r_{S37}$		0	
Reduction factor $r_{Brass}$		1 (Minimum distance: 2 mm)	

**Nominal ratings**

Operating voltage	$U_B$	10 ... 30 V
Switching frequency	$f$	0 ... 200 Hz
Hysteresis	$H$	typ. 5 %
Reverse polarity protection		reverse polarity protected
Short-circuit protection		pulsing
Voltage drop	$U_d$	$\leq 3$ V
Operating current	$I_L$	0 ... 200 mA
No-load supply current	$I_0$	$\leq 20$ mA
Time delay before availability	$t_v$	$\leq 10$ ms
Operating voltage indicator		LED, green
Switching state indicator		LED, yellow

**Ambient conditions**

Ambient temperature	-25 ... 70 °C (-13 ... 158 °F)
---------------------	--------------------------------

**Mechanical specifications**

Connection type	terminal compartment
Information for connection	A maximum of two conductors with the same core cross-section may be mounted on one terminal connection! tightening torque 1.2 Nm + 10 %
Core cross-section	up to 2.5 mm <sup>2</sup>
Minimum core cross-section	without wire end ferrule 0.5 mm <sup>2</sup> , with connector sleeves 0.34 mm <sup>2</sup>
Maximum core cross-section	without wire end ferrule 2.5 mm <sup>2</sup> , with connector sleeves 1.5 mm <sup>2</sup>
Housing material	PBT
Sensing face	PBT
Housing base	metal
Degree of protection	IP68

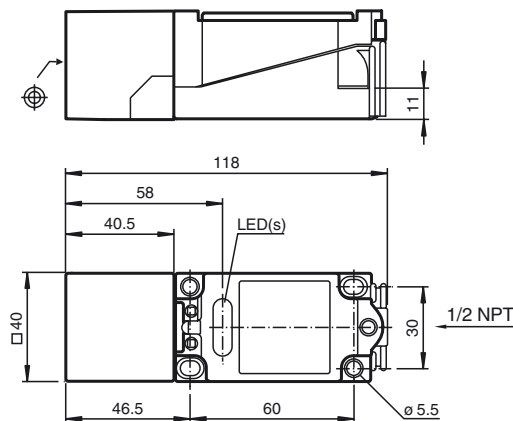
**Compliance with standards and directives**

Standard conformity	
Standards	EN 60947-5-2:2007 IEC 60947-5-2:2007

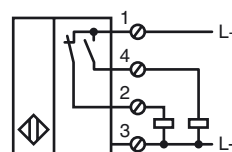
**Approvals and certificates**

UL approval	cULus Listed, General Purpose
CSA approval	cCSAus Listed, General Purpose
CCC approval	CCC approval / marking not required for products rated $\leq 36$ V

**Dimensions**



**Electrical Connection**



Release date: 2016-09-29 11:43 Date of issue: 2016-10-10 017022\_eng.xml