



Model Number

NEB22-30GM60-E2-V1

Features

- 22 mm quasi flush
- Increased operating distance

Accessories

BF 30

Mounting flange, 30 mm

V1-G

Female connector, M12, 4-pin, field attachable

V1-W

Female connector, M12, 4-pin, field attachable

V1-G-2M-PUR

Female cordset, M12, 4-pin, PUR cable

V1-W-2M-PUR

Female cordset, M12, 4-pin, PUR cable

Technical Data

General specifications

Switching function	Normally open (NO)
Output type	PNP
Rated operating distance	s_n 22 mm
Installation	quasi flush
Output polarity	DC
Assured operating distance	s_a 0 ... 17.8 mm
Reduction factor r_{AI}	0.25
Reduction factor r_{CU}	0.22
Reduction factor r_{304}	0.65
Output type	3-wire

Nominal ratings

Installation conditions	
A	6 mm
B	37 mm
C	66 mm
F	80 mm
Operating voltage	U_B 10 ... 30 V
Switching frequency	f 0 ... 150 Hz
Hysteresis	H $\leq 10\%$
Reverse polarity protection	reverse polarity protected
Short-circuit protection	pulsing
Voltage drop	U_d ≤ 5 V
Operating current	I_L 0 ... 200 mA
Off-state current	I_r ≤ 0.1 mA
No-load supply current	I_0 ≤ 10 mA
Switching state indicator	LED, yellow

Functional safety related parameters

MTTF _d	213 a
Mission Time (T _M)	20 a
Diagnostic Coverage (DC)	0 %

Ambient conditions

Ambient temperature	-25 ... 70 °C (-13 ... 158 °F)
---------------------	--------------------------------

Mechanical specifications

Connection type	Connector plug M12 x 1, 4-pin
Housing material	chromium plated brass
Sensing face	PBT
Degree of protection	IP67

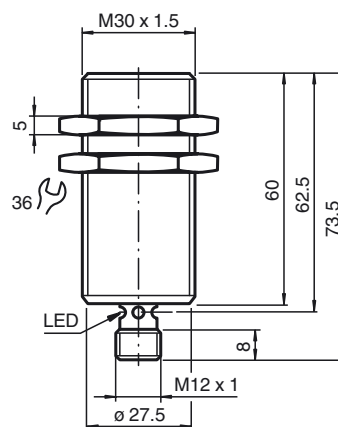
Compliance with standards and directives

Standard conformity	
Standards	EN 60947-5-2:2007 IEC 60947-5-2:2007 Non-standard connector assignment

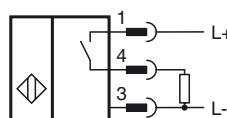
Approvals and certificates

UL approval	cULus Listed, General Purpose
CSA approval	cCSAus Listed, General Purpose
CCC approval	CCC approval / marking not required for products rated ≤ 36 V

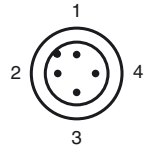
Dimensions



Electrical Connection



Pinout



Wire colors in accordance with EN 60947-5-2

1	BN	(brown)
2	WH	(white)
3	BU	(blue)
4	BK	(black)

Installation Conditions

