

Card holder

MTA-C1V2

- Card holder for code and data carrier MTO-C1 and MTM-C1
- Window installation in vehicles by means of adhesive strips

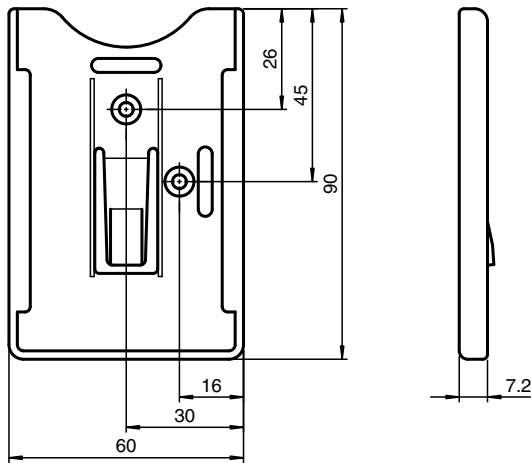
Card holder for window mounting in vehicles



Function

The MTA-C1V2 card holder is especially designed for mounting the code carrier inside the car window. Since the card holder is transparent, the inserted code carrier can also be detected optically.

Dimensions



Technical Data

Mechanical specifications	
Material	support: polycarbonate clip: metal
Mass	(window version): 7 g with clip: 11 g

Release date: 2020-03-27 Date of issue: 2020-03-27 Filename: 039765_eng.pdf