



## Model Number

**NBN4-12GM40-Z0**

## Features

- 4 mm non-flush
- 2-wire DC

## Accessories

### BF 12

Mounting flange, 12 mm

## Technical Data

### General specifications

Switching function		Normally open (NO)
Output type		Two-wire
Rated operating distance	$s_n$	4 mm
Installation		non-flush
Output polarity		DC
Assured operating distance	$s_a$	0 ... 3.24 mm
Actual operating distance	$s_r$	3.6 ... 4.4 mm typ.
Reduction factor $r_{A1}$		0.37
Reduction factor $r_{Cu}$		0.36
Reduction factor $r_{304}$		0.74
Output type		2-wire

### Nominal ratings

Operating voltage	$U_B$	5 ... 60 V
Switching frequency	$f$	0 ... 700 Hz
Hysteresis	$H$	1 ... 10 typ. 5 %
Reverse polarity protection		reverse polarity tolerant
Short-circuit protection		pulsing
Voltage drop	$U_d$	$\leq 5$ V
Operating current	$I_L$	2 ... 100 mA
Lowest operating current	$I_m$	2 mA
Off-state current	$I_r$	0 ... 0.5 mA typ.
Switching state indicator		all direction LED, yellow

### Functional safety related parameters

MTTF <sub>d</sub>	2020 a
Mission Time ( $T_M$ )	20 a
Diagnostic Coverage (DC)	0 %

### Ambient conditions

Ambient temperature	-25 ... 70 °C (-13 ... 158 °F)
---------------------	--------------------------------

### Mechanical specifications

Connection type	cable PVC, 2 m
Core cross-section	0.14 mm <sup>2</sup>
Housing material	brass, nickel-plated
Sensing face	PBT
Degree of protection	IP67
Cable	
Cable diameter	3 mm $\pm$ 0.2 mm
Bending radius	> 10 x cable diameter

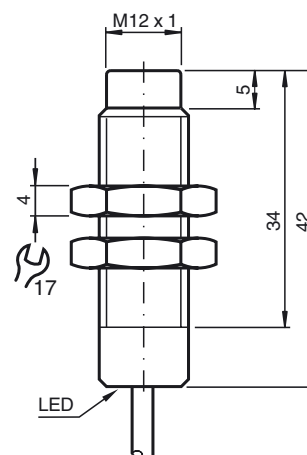
### Compliance with standards and directives

Standard conformity	
Standards	EN 60947-5-2:2007 EN 60947-5-2/A1:2012 IEC 60947-5-2:2007 IEC 60947-5-2 AMD 1:2012

### Approvals and certificates

UL approval	cULus Listed, General Purpose
CSA approval	cCSAus Listed, General Purpose
CCC approval	Certified by China Compulsory Certification (CCC)

## Dimensions



## Electrical Connection

