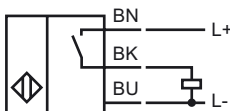
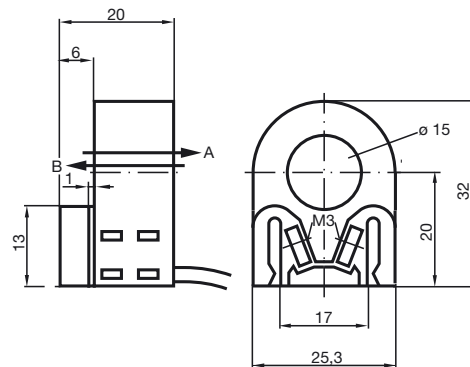


**Model Number**

RB15-14-E2-BI-Y97927

Features

- 15 mm inside diameter
- Basic series
- Bistable
- Direction detection

Connection**Dimensions****Technical Data****General specifications**

Switching element function	PNP	NO
Installation	switched high	
Output polarity	switched high	
Inside diameter	15 mm	
Measuring cone	6 mm	
Material	1.4401	
Passage speed	v	≤ 10 m/s

Nominal ratings

Operating voltage	U_B	10 ... 30 V
Reverse polarity protected	reverse polarity protected	
Short-circuit protection	pulsing	
Output voltage		
Traverse A	1 V	
Traverse B	$U_B - 3 V$	
Power ON	1 V	
Voltage drop	U_d	≤ 1.5 V
Operating current	I_L	0 ... 100 mA
No-load supply current	I_0	≤ 10 mA

Ambient conditions

Ambient temperature	-25 ... 70 °C (-13 ... 158 °F)
---------------------	--------------------------------

Mechanical specifications

Connection type	cable PUR , 2 m
Core cross-section	0.14 mm ²
Cable diameter	3 mm
Housing material	PBT
Protection degree	IP67

Compliance with standards and directives

Standard conformity	
Standards	EN 60947-5-2:2007 IEC 60947-5-2:2007

Approvals and certificates

UL approval	cULus Listed, General Purpose
CSA approval	cCSAus Listed, General Purpose