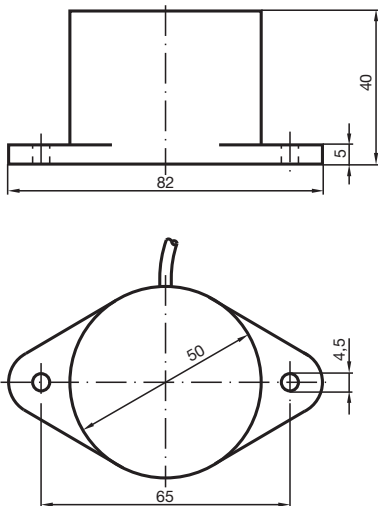


Inductive sensor NJ25-50-N-15M

- Comfort series
- 25 mm non-flush



Dimensions



Technical Data

General specifications

Switching function		Normally closed (NC)
Output type		NAMUR
Rated operating distance	s_n	25 mm
Installation		non-flush
Assured operating distance	s_a	0 ... 20.25 mm
Reduction factor r_{Al}		0.4
Reduction factor r_{Cu}		0.3
Reduction factor r_{304}		0.85
Output type		2-wire

Nominal ratings

Nominal voltage	U_o	8 V
Switching frequency	f	0 ... 250 Hz

Release date: 2020-03-25 Date of issue: 2020-03-30 Filename: 106500_eng.pdf

Refer to "General Notes Relating to Pepperl+Fuchs Product Information".

Pepperl+Fuchs Group
www.pepperl-fuchs.com

USA: +1 330 486 0001
fa-info@us.pepperl-fuchs.com

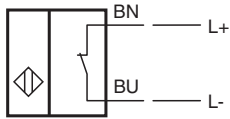
Germany: +49 621 776 1111
fa-info@de.pepperl-fuchs.com

Singapore: +65 6779 9091
fa-info@sg.pepperl-fuchs.com

Technical Data

Current consumption		
Measuring plate not detected		min. 3 mA
Measuring plate detected		≤ 1 mA
Compliance with standards and directives		
Standard conformity		
NAMUR		EN 60947-5-6:2000 IEC 60947-5-6:1999
Standards		EN 60947-5-2:2007 IEC 60947-5-2:2007
Approvals and certificates		
UL approval		cULus Listed, General Purpose
CSA approval		cCSAus Listed, General Purpose
CCC approval		CCC approval / marking not required for products rated ≤36 V
Ambient conditions		
Ambient temperature		-25 ... 100 °C (-13 ... 212 °F)
Mechanical specifications		
Connection type		cable PVC , 15 m
Core cross-section		0.75 mm ²
Housing material		PBT
Sensing face		PBT
Degree of protection		IP67
Cable		
Bending radius		> 10 x cable diameter
Equipment protection level Gb		
CE marking		[*PD-Z02585A*]
ATEX marking		⊕ II 2G Ex ia IIC T6...T1 Gb The Ex-related marking can also be printed on the enclosed label.
Standards		EN 60079-0:2012+A11:2013, EN 60079-11:2012 Ignition protection "Intrinsic safety" Use is restricted to the following stated conditions
Appropriate type		NJ 25-50-N...
Effective internal capacitance	C _i	max. 150 nF ; a cable length of 10 m is considered.
Effective internal inductance	L _i	max. 140 μH ; a cable length of 10 m is considered.
Maximum permissible ambient temperature	T _{amb}	Details of the correlation between the type of circuit connected, the maximum permissible ambient temperature, the temperature class, and the effective internal reactance values can be found on the EU-type examination certificate.
Equipment protection level Da		
CE marking		[*PD-Z02585A*]
ATEX marking		⊕ II 1D Ex ia IIIC T135°C Da The Ex-related marking can also be printed on the enclosed label.
Standards		EN 60079-0:2012+A11:2013, EN 60079-11:2012 Ignition protection "Intrinsic safety" Use is restricted to the following stated conditions
Appropriate type		NJ 25-50-N...
Effective internal capacitance	C _i	max. 150 μF A cable length of 10 m is considered.
Effective internal inductance	L _i	max. 140 μH A cable length of 10 m is considered.
General information		
Use in the hazardous area		see instruction manuals
Category		2G

Connection



Release date: 2020-03-25 Date of issue: 2020-03-30 Filename: 106500_eng.pdf

Refer to "General Notes Relating to Pepperl+Fuchs Product Information".

Pepperl+Fuchs Group
www.pepperl-fuchs.com

USA: +1 330 486 0001
fa-info@us.pepperl-fuchs.com

Germany: +49 621 776 1111
fa-info@de.pepperl-fuchs.com

Singapore: +65 6779 9091
fa-info@sg.pepperl-fuchs.com