



Model Number

NJ15+U2+N

Features

- Comfort series
- 15 mm flush

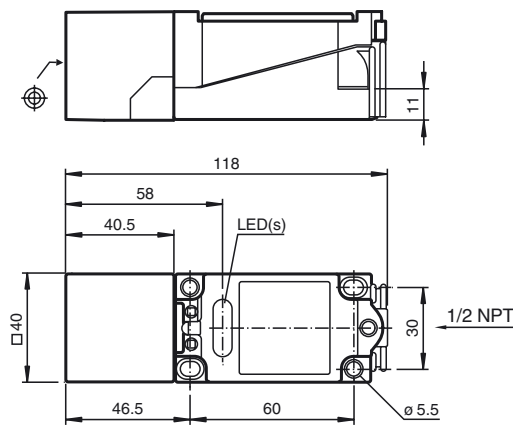
Accessories

- MH 04-2681F**
Mounting aid for VariKont, +U1+ and +U9*
- MH 04-2057B**
Mounting aid for VariKont and +U1+
- MHW 01**
Modular mounting bracket

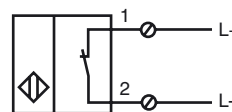
Technical Data

General specifications	
Switching function	Normally closed (NC)
Output type	NAMUR
Rated operating distance	s_n 15 mm
Installation	flush
Assured operating distance	s_a 0 ... 12.15 mm
Reduction factor r_{AI}	0.4
Reduction factor r_{Cu}	0.3
Reduction factor r_{304}	0.85
Output type	2-wire
Nominal ratings	
Nominal voltage	U_o 8 V
Switching frequency	f 0 ... 120 Hz
Current consumption	
Measuring plate not detected	≥ 3 mA
Measuring plate detected	≤ 1 mA
Ambient conditions	
Ambient temperature	-25 ... 100 °C (-13 ... 212 °F)
Mechanical specifications	
Connection type	screw terminals
Information for connection	A maximum of two conductors with the same core cross section may be mounted on one terminal connection! tightening torque 1.2 Nm + 10 %
Core cross-section	up to 2.5 mm ²
Minimum core cross-section	without wire end ferrule 0.5 mm ² , with connector sleeves 0.34 mm ²
Maximum core cross-section	without wire end ferrule 2.5 mm ² , with connector sleeves 1.5 mm ²
Housing material	PBT
Sensing face	PBT
Degree of protection	IP68
General information	
Use in the hazardous area	see instruction manuals
Category	2G
Compliance with standards and directives	
Standard conformity	
NAMUR	EN 60947-5-6:2000 IEC 60947-5-6:1999
Standards	EN 60947-5-2:2007 IEC 60947-5-2:2007
Approvals and certificates	
FM approval	
Control drawing	116-0165
UL approval	cULus Listed, General Purpose
CSA approval	cCSAus Listed, General Purpose
CCC approval	CCC approval / marking not required for products rated ≤ 36 V

Dimensions




Electrical Connection




Release date: 2019-04-23 16:38 Date of issue: 2019-04-23 106673_eng.xml

Equipment protection level Gb

CE marking	CE 0102	
ATEX marking	 II 2G Ex ia IIC T6...T1 Gb The Ex-related marking can also be printed on the enclosed label.	
Standards	EN 60079-0:2012+A11:2013, EN 60079-11:2012 Ignition protection "Intrinsic safety" Use is restricted to the following stated conditions	
Appropriate type	NJ 15+U..+N...	
Effective internal capacitance	C_i	$\leq 140 \text{ nF}$; a cable length of 10 m is considered.
Effective internal inductance	L_i	$\leq 130 \text{ }\mu\text{H}$; a cable length of 10 m is considered.
Maximum permissible ambient temperature T_{amb}	Details of the correlation between the type of circuit connected, the maximum permissible ambient temperature, the temperature class, and the effective internal reactance values can be found on the EU-type examination certificate.	

Special conditions**Equipment protection level Da**

CE marking	CE 0102	
ATEX marking	 II 1D Ex ia IIIC T135°C Da The Ex-related marking can also be printed on the enclosed label.	
Standards	EN 60079-0:2012+A11:2013, EN 60079-11:2012 Ignition protection "Intrinsic safety" Use is restricted to the following stated conditions	
Appropriate type	NJ 15+U..+N...	
Effective internal capacitance	C_i	$\leq 140 \text{ }\mu\text{F}$ A cable length of 10 m is considered.
Effective internal inductance	L_i	$\leq 130 \text{ }\mu\text{H}$ A cable length of 10 m is considered.

Special conditions