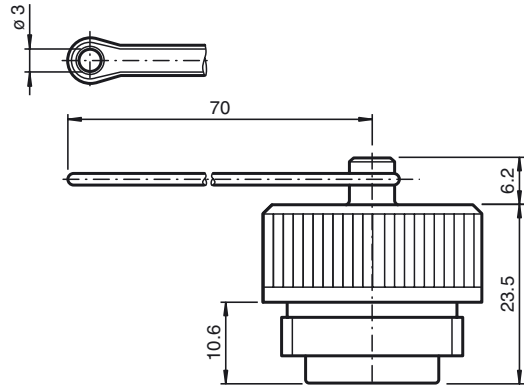




**Dimensions**



**Technical data**

**Mechanical specifications**

Connection Rd 24 x 1/8"

**Model Number**

**V16-B**

Stopping plug for V16 sockets

Release date: 2015-01-29 10:09 Date of issue: 2015-02-06 107611\_eng.xml