

# Process indicator

## DA5-IU-C

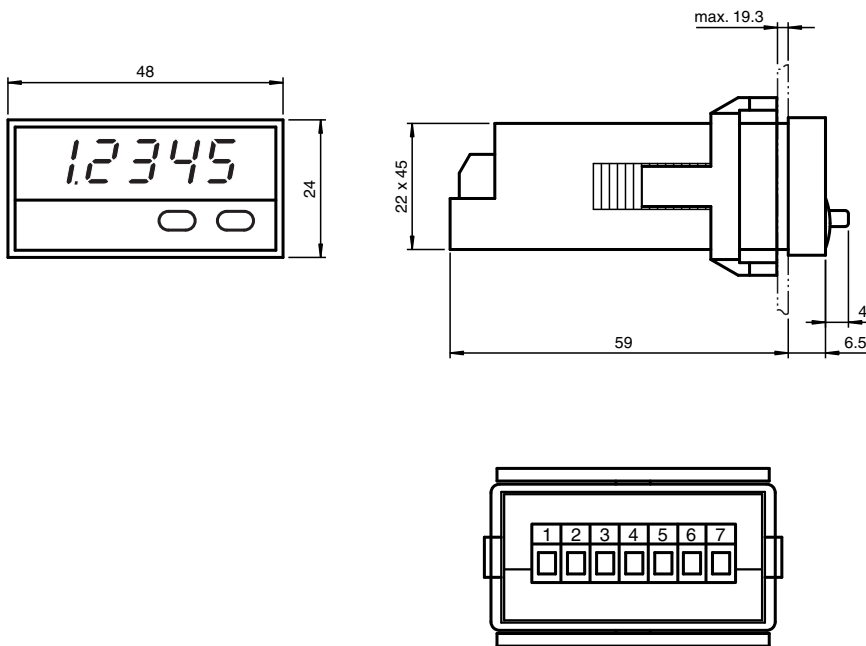


- Bright, high contrast 5-digit LED indicator
- Leading zero suppression
- Adjustable decimal point
- Maximum- and minimum-value display

Digital display unit



### Dimensions



### Technical Data

#### General specifications

Pre-selection	none
Data storage	10 <sup>6</sup> storage cycles or 10 years, EEPROM
Programming	keypad-driven menu

#### Functional safety related parameters

MTTF <sub>d</sub>	1900 a
Mission Time (T <sub>M</sub> )	10 a
Diagnostic Coverage (DC)	0 %

#### Indicators/operating means

Release date: 2020-03-20 Date of issue: 2020-03-26 Filename: 110352\_eng.pdf

Refer to "General Notes Relating to Pepperl+Fuchs Product Information".

Pepperl+Fuchs Group  
www.pepperl-fuchs.com

USA: +1 330 486 0001  
fa-info@us.pepperl-fuchs.com

Germany: +49 621 776 1111  
fa-info@de.pepperl-fuchs.com

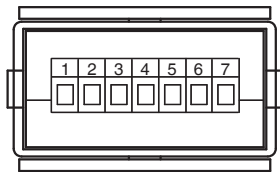
Singapore: +65 6779 9091  
fa-info@sg.pepperl-fuchs.com

PEPPERL+FUCHS

## Technical Data

Type	7-segment LED display, red	
Number of digits	5	
Display value	digit height 8 mm	
Key interlock	-	
Display interval	-19999 ... 99999	
Decimal point	freely adjustable	
Resolution	14 Bit	
Scale factor	via linear characteristic curve	
Reset	maximum value, manually	
<b>Electrical specifications</b>		
Operating voltage	$U_B$	10 ... 30 V DC
Power consumption	$P_0$	1.5 VA
<b>Input</b>		
Impedance	1 MOhm	
Voltage	max. 30 DC	
Analog voltage input	0 ... 10 V / 2 ... 10 V DC	
Analog current input	0 ... 20 mA / 4 ... 20 mA	
<b>Ambient conditions</b>		
Ambient temperature	-10 ... 50 °C (14 ... 122 °F)	
Storage temperature	-25 ... 70 °C (-13 ... 158 °F)	
Relative humidity	≤ 80 % (noncondensing)	
<b>Mechanical specifications</b>		
Degree of protection	IP65 (front)	
Connection	7-pin screw terminal max. core cross-section 0.34 ... 1.5 mm <sup>2</sup>	
Mass	approx. 50 g	
Dimensions	48 mm x 24 mm x 65 mm	
Mounting	latch fastener/mounting frame	

## Connection



Terminal No.	
1	10 ... 30 V DC
2	0 V (GND)
3	0 V LATCH
4	LATCH
5	Current input
6	0 V input signal
7	Voltage input

## Additional Information

The DA5-IU-C permits a simple visual inspection by operating and maintenance personnel. It converts the analogue sensor output signal into a readable form for this purpose. Depending on the task or setting, 4 ... 20 mA or 0 ... 100 % values can be displayed.

**Scope of delivery:**

- Process control unit DA5-IU-C
- Screw terminal, 7-pin
- Clamp clip
- Seal
- 1 sheet of adhesive symbols