

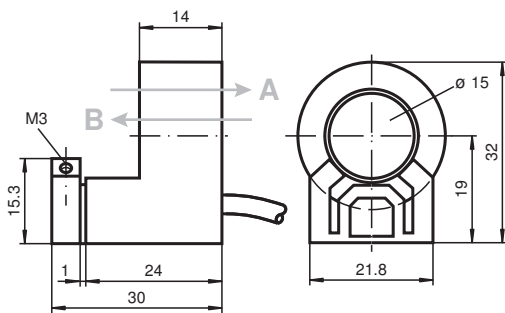
Inductive ring sensor

RC15-14-N3-Y115615

- 15 mm inside diameter
- Comfort series
- Bistable
- Direction detection



Dimensions



Technical Data

General specifications

Switching function	Normally closed (NC)
Output type	NAMUR, bistable
Inside diameter	15 mm
Measuring cylinder	
Diameter	1/4" (6.250mm)
Measuring cone	Carboloy
Output type	2-wire

Nominal ratings

Nominal voltage	U_o	8 V
Operating voltage	U_B	5 ... 25 V
Hysteresis	H	typ. 1 %
Reverse polarity protection		reverse polarity protected
Current consumption		
Traverse B		3 mA
Passage B $U_B=8V$		≥ 3 mA
Passage B $U_B=10V$		≥ 4.2 mA
Traverse A		1 mA

Release date: 2020-03-25 Date of issue: 2020-03-30 Filename: 115615_eng.pdf

Refer to "General Notes Relating to Pepperl+Fuchs Product Information".

Pepperl+Fuchs Group
www.pepperl-fuchs.com

USA: +1 330 486 0001
fa-info@us.pepperl-fuchs.com

Germany: +49 621 776 1111
fa-info@de.pepperl-fuchs.com

Singapore: +65 6779 9091
fa-info@sg.pepperl-fuchs.com

PEPPERL+FUCHS

Technical Data

Passage A $U_B=10V$		0.5 ... 1 mA typ. 0.9 mA
Passage A $U_B=8V$		0.5 ... 0.95 mA typ. 0.8 mA
Time delay before availability	t_v	≤ 5 ms
Functional safety related parameters		
MTTF _d		2240 a
Mission Time (T_M)		20 a
Diagnostic Coverage (DC)		0 %
Compliance with standards and directives		
Standard conformity		
NAMUR		EN 60947-5-6:2000 IEC 60947-5-6:1999
Standards		EN 60947-5-2:2007 IEC 60947-5-2:2007
Approvals and certificates		
UL approval		cULus Listed, General Purpose
CSA approval		cCSAus Listed, General Purpose
Ambient conditions		
Ambient temperature		0 ... 40 °C (32 ... 104 °F)
Mechanical specifications		
Connection type		cable PVC , 5 m
Core cross-section		0.14 mm ²
Housing material		PBT
Degree of protection		IP67
Cable		
Bending radius		> 10 x cable diameter
Equipment protection level Gb		
CE marking		[*PD-Z02585A*]
ATEX marking		Ⓔ II 2G Ex ia IIC T6...T1 Gb The Ex-related marking can also be printed on the enclosed label.
Standards		EN 60079-0:2012+A11:2013, EN 60079-11:2012 Ignition protection "Intrinsic safety" Use is restricted to the following stated conditions
Appropriate type		RC15-...-N3...
Effective internal capacitance	C_i	max. 90 nF ; a cable length of 10 m is considered.
Effective internal inductance	L_i	max. 70 μ H ; a cable length of 10 m is considered.
Maximum permissible ambient temperature	T_{amb}	Details of the correlation between the type of circuit connected, the maximum permissible ambient temperature, the temperature class, and the effective internal reactance values can be found on the EU-type examination certificate.
General information		
Use in the hazardous area		see instruction manuals
Category		2G

Connection

