

Inductive ring sensor

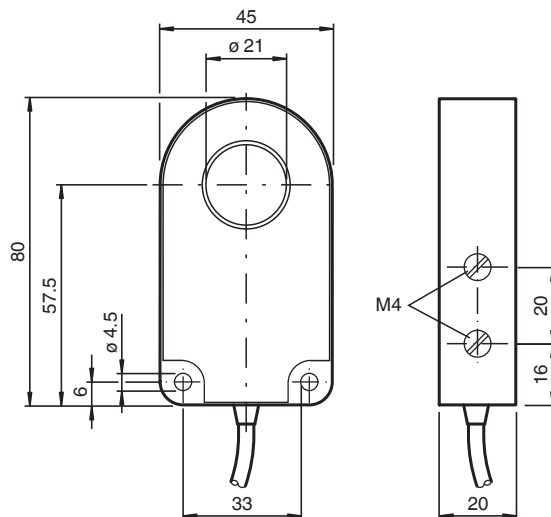
RJ21-E2-0,1M-V1



- 21 mm inside diameter
- Comfort series



Dimensions



Technical Data

General specifications

Switching function	Normally open (NO)
Output type	PNP
Installation	
Output polarity	DC
Inside diameter	21 mm
Measuring cylinder	
Diameter	6 mm
Length	12 mm

Nominal ratings

Nominal voltage	U_o	8 V
Operating voltage	U_B	10 ... 30 V
Switching frequency	f	0 ... 1000 Hz

Release date: 2020-03-20 Date of issue: 2020-03-30 Filename: 119771_eng.pdf

Refer to "General Notes Relating to Pepperl+Fuchs Product Information".

Pepperl+Fuchs Group
www.pepperl-fuchs.com

USA: +1 330 486 0001
fa-info@us.pepperl-fuchs.com

Germany: +49 621 776 1111
fa-info@de.pepperl-fuchs.com

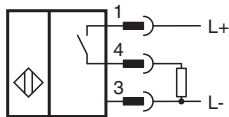
Singapore: +65 6779 9091
fa-info@sg.pepperl-fuchs.com

PEPPERL+FUCHS

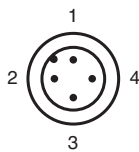
Technical Data

Reverse polarity protection		reverse polarity protected
Short-circuit protection		pulsing
Voltage drop	U_d	$\leq 3\text{ V}$
Operating current	I_L	0 ... 200 mA
No-load supply current	I_0	$\leq 20\text{ mA}$
Compliance with standards and directives		
Standard conformity		
Standards		EN 60947-5-2:2007 IEC 60947-5-2:2007
Approvals and certificates		
UL approval		cULus Listed, General Purpose
CSA approval		cCSAus Listed, General Purpose
Ambient conditions		
Ambient temperature		-25 ... 70 °C (-13 ... 158 °F)
Mechanical specifications		
Connection type		Cable connector M12 x 1 , 4-pin , PVC Cable, 100 mm
Core cross-section		0.34 mm ²
Housing material		PBT
Degree of protection		IP67

Connection



Connection Assignment



Wire colors in accordance with EN 60947-5-2

1	BN	(brown)
2	WH	(white)
3	BU	(blue)
4	BK	(black)

Accessories

	V1-W-2M-PUR	Female cordset, M12, 4-pin, PUR cable
--	--------------------	---------------------------------------

Accessories



V1-G-2M-PUR

Female cordset, M12, 4-pin, PUR cable

Release date: 2020-03-20 Date of issue: 2020-03-30 Filename: 119771_eng.pdf

Refer to "General Notes Relating to Pepperl+Fuchs Product Information".

Pepperl+Fuchs Group
www.pepperl-fuchs.com

USA: +1 330 486 0001
fa-info@us.pepperl-fuchs.com

Germany: +49 621 776 1111
fa-info@de.pepperl-fuchs.com

Singapore: +65 6779 9091
fa-info@sg.pepperl-fuchs.com

 **PEPPERL+FUCHS**