

Control interface unit

IC-KP-R2-V1



- Max. 4 read/write heads connectable
- Alternative 2 read/write heads and 2 trigger sensors can be connected
- LC display with background lightning
- Direct operation via 4 keys
- LED status indicator of bus communication and read/write heads

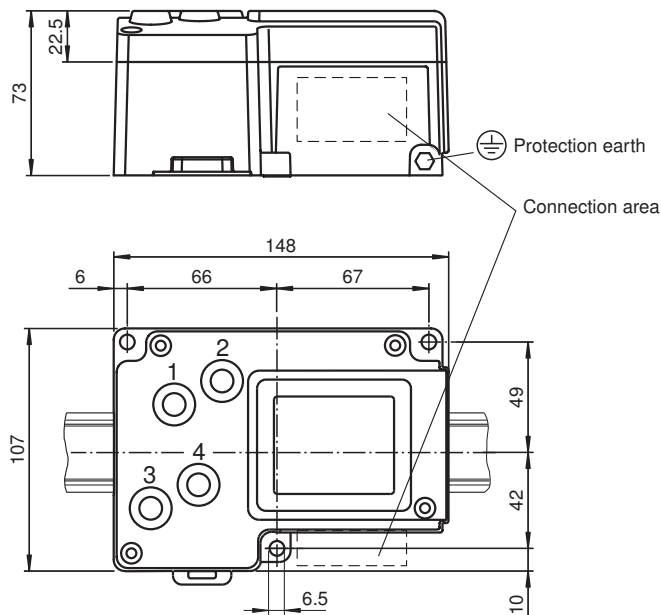
Control interface unit IDENTControl with serial interface RS-232



Function

The innovative concept of the RFID identification system IDENTControl from Pepperl+ Fuchs has many advantages in comparison to other systems. The core piece of the system is the evaluation unit IDENTControl. Thanks to the integrated interfaces for all standard field bus systems such as PROFIBUS, EtherNet, PROFINET IO, DeviceNet, serial connections (RS 232/RS 485/RS 422) and numerous connection options for inductive write/read heads as well as microwave antennas, the evaluation unit IDENTControl can be adjusted to your needs in a flexible and easy manner. LEDs indicate operating power and bus communication, connected write/read heads and active write/read commands. Mounting the unit onto DIN mounting rails is easy thanks to the snap-fits on the back of the housing of the evaluation unit IDENTControl. With its L-shaped housing, the evaluation unit including bus connector fits into a 120 mm grid in the switch cabinet. The mounting depth of 70 mm furthermore enables installation in flat switch boxes with a depth of only 100 mm. There are 3 further mounting holes for field mounting.

Dimensions



Release date: 2020-04-01 Date of issue: 2020-04-01 Filename: 126457_eng.pdf

Refer to "General Notes Relating to Pepperl+Fuchs Product Information".

Pepperl+Fuchs Group
www.pepperl-fuchs.com

USA: +1 330 486 0001
fa-info@us.pepperl-fuchs.com

Germany: +49 621 776 1111
fa-info@de.pepperl-fuchs.com

Singapore: +65 6779 9091
fa-info@sg.pepperl-fuchs.com

PEPPERL+FUCHS

Technical Data

General specifications		
Number of read/write heads		max. 4 alternative 2 read/write heads and 2 trigger sensors
UL File Number		E87056
Functional safety related parameters		
MTTF _d		190 a
Mission Time (T _M)		10 a
Diagnostic Coverage (DC)		0 %
Indicators/operating means		
LEDs 1, 2, 3, 4		Status indicator for read/write heads green: command at read/write head active yellow: approx. 1 second long, if command was successfully executed
LED PWR/ERR		green: power on red: Hardware fault
LED UL		green: Interface Power ON/OK
LED TxD		green: flashes in rhythm with the transmitted data
LED RxD		green: flashes in rhythm of receiving data
LC display		two-line multi-function display with 12 characters per line configuration of the control interface and display of connected read/write heads as additional pictograms; easy and direct selection of operating commands
Button		4 keys: ESC, up, down and return
Electrical specifications		
Rated operating voltage	U _e	20 ... 30 V DC , PELV
Ripple		≤ 10 % at 30 V DC
Current consumption		≤ 2 A incl. read/write heads
Power consumption	P ₀	2.5 W Without read/write heads
Galvanic isolation		basic insulation acc. to DIN EN 50178, rated insulation voltage of 50 V _{eff}
Interface		
Physical		RS 232
Protocol		ASCII
Transfer rate		1200; 2400; 4800; 9600; 19200; 38400 Bit/s
Directive conformity		
Electromagnetic compatibility		
Directive 2014/30/EU		EN 61326-1:2013
Standard conformity		
Degree of protection		IEC 60529:2001
Ambient conditions		
Ambient temperature		-25 ... 70 °C (-13 ... 158 °F)
Storage temperature		-30 ... 80 °C (-22 ... 176 °F)
Climatic conditions		air humidity max. 96 % Salt spray resistant to EN 60068-2-52
Shock and impact resistance		Oscillation (Sine): 5 g, 10 - 1000 Hz to EN 60068-2-6 Shock (Half-sine): 30 g, 11 ms in accordance with EN 60068-2-27
Mechanical specifications		
Degree of protection		IP67
Connection		Read/write heads: shielded, 4-pin, M12 connector Power supply: M12 connector Protective earth: M6 earthing screw RS 232: M12 plug connection
Material		
Housing		powder coated aluminum
Installation		snap-on to 35 mm standard rail or screw fixing
Mass		approx. 1000 g

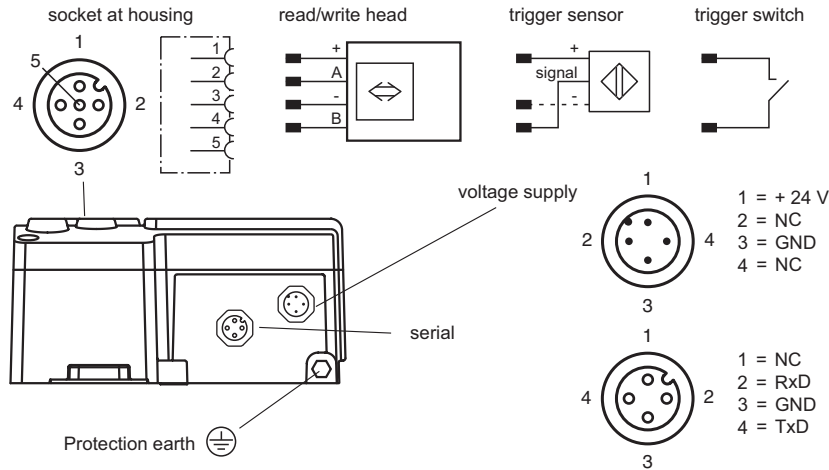
Release date: 2020-04-01 Date of issue: 2020-04-01 Filename: 126457_eng.pdf

Refer to "General Notes Relating to Pepperl+Fuchs Product Information".

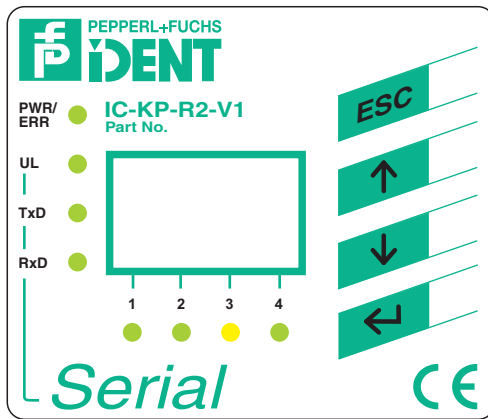
Pepperl+Fuchs Group
www.pepperl-fuchs.comUSA: +1 330 486 0001
fa-info@us.pepperl-fuchs.comGermany: +49 621 776 1111
fa-info@de.pepperl-fuchs.comSingapore: +65 6779 9091
fa-info@sg.pepperl-fuchs.com

PEPPERL+FUCHS

Connection



Assembly



Accessories

	V1S-G-0,15M-PUR-ABG-SUBD	Adapter M12 on Sub-D for PC connection with null modem cable
	V1-G-5M-PUR-ABG-V1-W	Connecting cable, M12 to M12, PUR cable 4-pin, shielded
	V1-G-5M-PUR	Female cordset, M12, 4-pin, PUR cable
	V1S-G-5M-PUR-ABG-SUBD9	Adapter, M12 x 1, to sub-D, 9-pin

Release date: 2020-04-01 Date of issue: 2020-04-01 Filename: 126457_eng.pdf