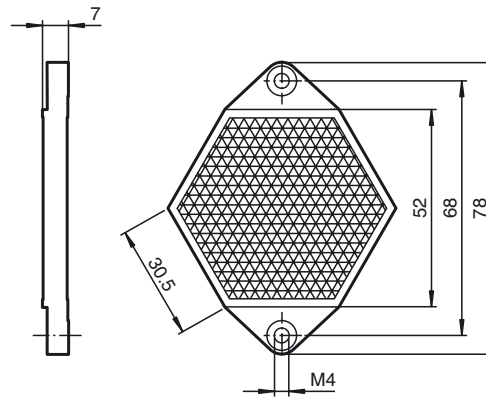




Dimensions



Model Number

REF-MH78

Reflector with Micro-structure,
hexagonal 78 mm x 61 mm, mounting
holes

Features

- Mounting holes for simple installation
- Micro-structure

Technical data

General specifications

Construction type hexagonal

Ambient conditions

Ambient temperature -20 ... 85 °C (-4 ... 185 °F)

Mechanical specifications

Material PMMA/ABS

Dimensions 78 mm x 61 mm x 7 mm

Mounting mounting holes

Note

Reflectors

Polarized retroreflective sensors must use corner cube reflectors.

Microstructure, corner cube reflectors are used with laser retroreflective sensors that have a small light spot.