



Model Number

NCN40+U1+N0-V1

Features

- Comfort series

Accessories

MHW 01

Modular mounting bracket

MH 04-2057B

Mounting aid for VariKont and +U1+

V1-G

Female connector, M12, 4-pin, field attachable

V1-W

Female connector, M12, 4-pin, field attachable

V1-G-N-2M-PUR

Female cordset, M12, 2-pin, NAMUR, PUR cable

V1-W-N-2M-PUR

Female cordset, M12, 2-pin, NAMUR, PUR cable

Technical Data

General specifications

Switching function	Normally closed (NC)
Output type	NAMUR
Rated operating distance	s_n 40 mm
Installation	non-flush
Assured operating distance	s_a 0 ... 32.4 mm
Reduction factor r_{AI}	0.45
Reduction factor r_{Cu}	0.45
Reduction factor r_{304}	0.8
Output type	2-wire

Nominal ratings

Installation conditions	
A	10 mm
Nominal voltage	U_o 8 V
Switching frequency	f 0 ... 100 Hz
Hysteresis	H 1 ... 15 typ. 5 %
Reverse polarity protection	reverse polarity protected
Short-circuit protection	yes
Current consumption	
Measuring plate not detected	≥ 3 mA
Measuring plate detected	≤ 1 mA
Switching state indicator	LED, yellow

Functional safety related parameters

MTTF _d	2225 a
Mission Time (T _M)	20 a
Diagnostic Coverage (DC)	0 %

Ambient conditions

Ambient temperature	-25 ... 100 °C (-13 ... 212 °F)
Storage temperature	-40 ... 100 °C (-40 ... 212 °F)

Mechanical specifications

Connection type	Connector plug M12 x 1 , 4-pin
Housing material	PBT
Sensing face	PBT
Degree of protection	IP68

General information

Use in the hazardous area	see instruction manuals
Category	1G; 2G; 1D

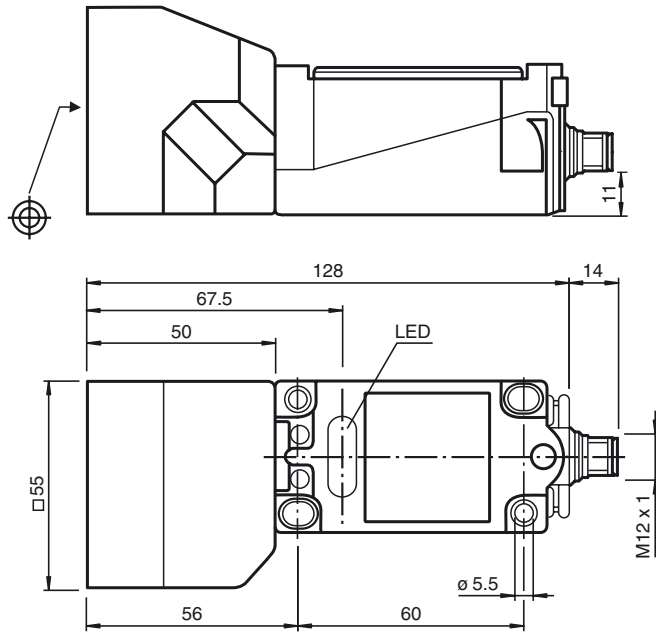
Compliance with standards and directives

Standard conformity	
NAMUR	EN 60947-5-6:2000 IEC 60947-5-6:1999
Standards	EN 60947-5-2:2007 EN 60947-5-2/A1:2012 IEC 60947-5-2:2007 IEC 60947-5-2 AMD 1:2012

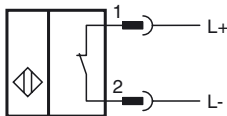
Approvals and certificates

EAC conformity	TR CU 012/2011
FM approval	
Control drawing	116-0165
UL approval	
Ordinary Location	E87056
Hazardous Location	E501628
Control drawing	116-0451
CSA approval	cCSAus Listed, General Purpose
CCC approval	CCC approval / marking not required for products rated ≤ 36 V

Dimensions



Electrical Connection



Wire colors in accordance with EN 60947-5-6


- 1 | BN (brown)
- 2 | BU (blue)

Equipment protection level Ga


CE marking	CE 0102	
ATEX marking	ⓧ II 1G Ex ia IIC T6...T1 Ga The Ex-related marking can also be printed on the enclosed label.	
Standards	EN 60079-0:2012+A11:2013 EN 60079-11:2012 Ignition protection "Intrinsic safety" Use is restricted to the following stated conditions	
Appropriate type	NCN40+U...+N0...	
Effective internal capacitance	C_i	$\leq 120 \text{ nF}$; a cable length of 10 m is considered.
Effective internal inductance	L_i	$\leq 130 \mu\text{H}$; a cable length of 10 m is considered.
Ambient temperature	Details of the correlation between the type of circuit connected, the maximum permissible ambient temperature, the temperature class, and the effective internal reactance values can be found on the EC-type examination certificate. Note: Use the temperature table for category 1 !!! The 20 % reduction in accordance with EN 1127-1 has already been applied to the temperature table for category 1.	

Release date: 2019-05-22 11:08 Date of issue: 2019-05-22 129889_eng.xml

Equipment protection level Gb

CE marking	CE 0102	
ATEX marking	 II 1G Ex ia IIC T6...T1 Ga The Ex-related marking can also be printed on the enclosed label.	
Standards	EN 60079-0:2012+A11:2013, EN 60079-11:2012 Ignition protection "Intrinsic safety" Use is restricted to the following stated conditions	
Appropriate type	NCN40+U...+N0...	
Effective internal capacitance C_i	≤ 120 nF ; a cable length of 10 m is considered.	
Effective internal inductance L_i	≤ 130 μ H ; a cable length of 10 m is considered.	
Maximum permissible ambient temperature T_{amb}	Details of the correlation between the type of circuit connected, the maximum permissible ambient temperature, the temperature class, and the effective internal reactance values can be found on the EC-type examination certificate.	

Equipment protection level Da

CE marking	CE 0102	
ATEX marking	 II 1D Ex ia IIIC T135°C Da The Ex-related marking can also be printed on the enclosed label.	
Standards	EN 60079-0:2012+A11:2013 EN 60079-11:2012 Ignition protection "Intrinsic safety" Use is restricted to the following stated conditions	
Appropriate type	NCN40+U...+N0...	
Effective internal capacitance C_i	≤ 120 nF ; a cable length of 10 m is considered.	
Effective internal inductance L_i	≤ 130 μ H ; a cable length of 10 m is considered.	