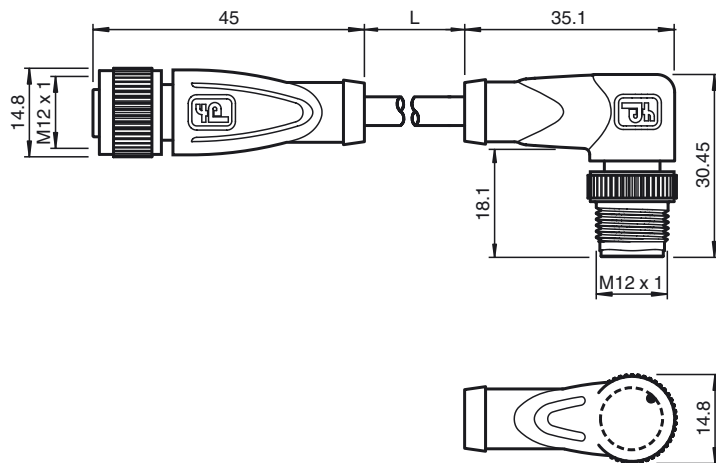




Dimensions



Model Number

V11-G-5M-PVC-V11-W

Connecting cable, M12 to M12, PVC cable 3-pin

Features

- Knurled nut suitable for tool assembly
- Immunity to vibration, with mechanical latching
- Gold plated contacts
- Degree of protection IP67 / IP68 / IP69K
- Suitable for 2- and 3-wire technology

Technical data

General specifications

Number of pins	3
Connection 1	socket
Construction type 1	straight
Threading 1	M12
Connection 2	Male connector
Construction type 2	right angle
Threading 2	M12

Electrical specifications

Operating voltage	U_B	max. 300 V DC
Operating current	I_B	max. 4 A
Volume resistance		< 5 mΩ

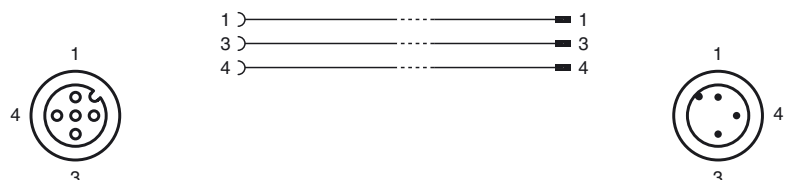
Ambient conditions

Ambient temperature	-25 ... 100 °C (-13 ... 212 °F) for temperatures over 80 °C (176 °F) reduced elongation at tear
Pollution degree	3

Mechanical specifications

Contact elements	spring-loaded contact socket
Pin diameter	1 mm
Degree of protection	IP67 / IP68 / IP69k
Material	
Contacts	CuSn / Au
Contact surface	Au
Body	TPU, black
Cable	PVC
Slotted nut	Diecast zinc
Sleeve connector	Diecast zinc
Core insulation	PVC
Cable	fine-strand, flexible
Sheath diameter	Ø4.8 mm
Bending radius	> 10 x cable diameter, moving
Color	grey
Number of cores	3
Core cross-section	0.34 mm ²
Conductor construction	19 x 0.15 mm Ø
Length	L 5 m
Flammability	
Contact carrier	94 V-2
Housing	94 V-2

Electrical connection



Release date: 2019-04-12 09:45 Date of issue: 2019-04-12 129953_eng.xml

Refer to "General Notes Relating to Pepperl+Fuchs Product Information".

Accessories**MH V1-SCREWDRIVER**

torque screwdriver (0.6 Nm)

MH V1-BIT M12

plug-in cap M12

V1/V3-LABEL

Label plate

MH V1-Holder

Modular universal holder for M12 connectors

V1-CLIP

Unlocking protector for M12 connector

V1-MARKING-RING-BLUE

Marking ring for M12 plug

V1-MARKING-RING-GREEN

Marking ring for M12 plug

V1-MARKING-RING-ORANGE

Marking ring for M12 plug

V1-MARKING-RING-RED

Marking ring for M12 plug

V1-MARKING-RING-WHITE

Marking ring for M12 plug

V1-MARKING-RING-YELLOW

Marking ring for M12 plug